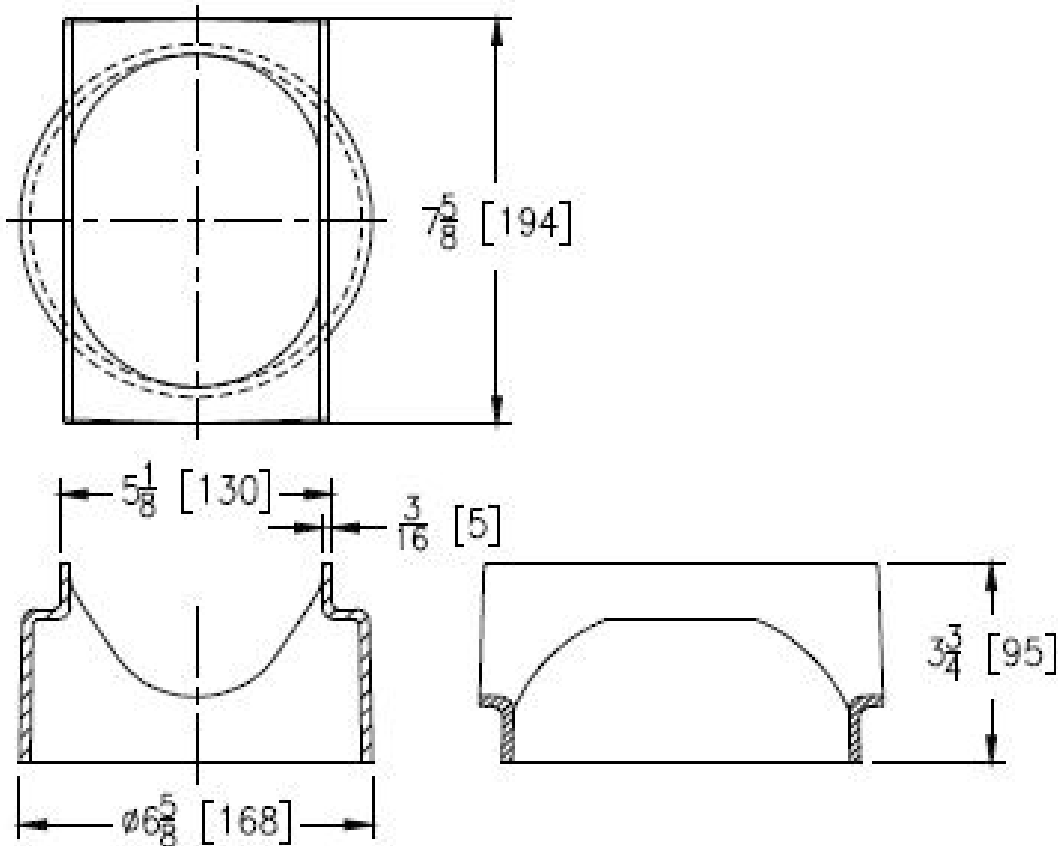


Number Z886 U6 6" Bottom Outlet	Series CPZ886 HDPE Endcaps Z886 Series
--	---



Please Check	Item No.	Part Number	Item I.D.
✓	7	61021-001	P886-U6

Manufacturer



ENGINEERING SPECIFICATION: ZURN Z886-U6
 6" [152mm] No-Hub Bottom Outlet for 6" [152mm] wide Trench Drainage System. Outlet is made of 3/16" [5mm] thick HDPE and is designed for No-Hub applications using an adapter (Supplied by other).
 **Channel to be cut in field to inside diameter of outlet.

DISCLAIMER - The customer and the customer's architects, engineers, consultants, and other professionals are completely responsible for the selection installation and maintenance of any product purchased from Trench Drain Supply and/or its manufacturers. TRENCH DRAIN SUPPLY MAKES NO WARRANTY, EXPRESS OR IMPLIED, AS TO THE SUITABILITY, DESIGN, MERCHANTABILITY, OR FITNESS OF THE PRODUCT FOR CUSTOMERS APPLICATION. The drawing and information provided remain the property and copyright of the manufacturer listed. The manufacturer reserves the right to modify specification without notice.