



Z886-FGF

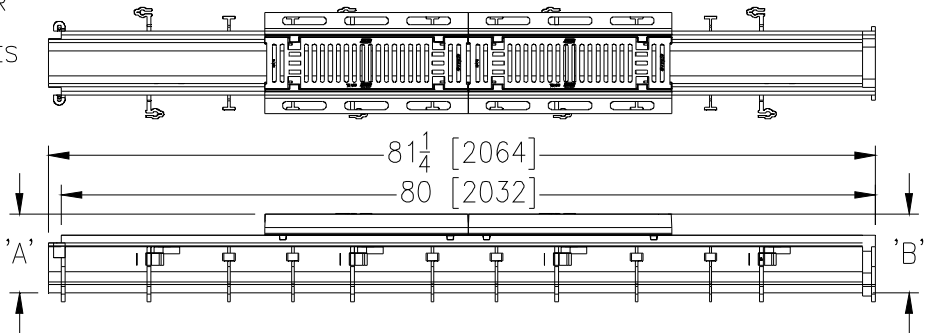
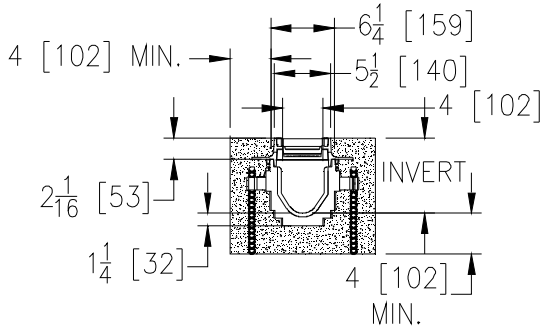
SPECIFICATION SHEET

5.50 [140] WIDE REVEAL TRENCH DRAIN SYSTEM WITH DUCTILE IRON FRAME AND SLOTTED GRATE

TAG _____

Dimensional Data (inches and [mm]) are Subject to Manufacturing Tolerances and Change Without Notice

SPECIFYING ENGINEER IS RESPONSIBLE FOR CONCRETE ENCASUREMENT AND REINFORCING BASED UPON APPLICATION AND LOCAL CODES



NOTE: + Actual Channel length is 81 1/4 [2064] to allow for overlap.

ENGINEERING SPECIFICATION: Zurn Z886-FGF Channels shall be 80 [2032] long, 5.50 [140] wide reveal and have a 4 [102] throat. Modular channel sections shall be made of 0% water absorbent High Density Polyethylene (HDPE). Shall have a positive mechanical connection between channel sections that will not separate during the installation and shall mechanically lock into the concrete surround a minimum of every 10 [254]. Channels shall weigh less than 2.31 lbs.[1.05kg] per linear foot, have a smooth, 1.5 [38] radiused self cleaning bottom with a Manning's coefficient of 0.009 and 0.75% or neutral 0% built in slope. Channels shall have rebar clips standard to secure trench in its final location. Shall be provided with standard FGF grates that lock into the concrete surround during installation and is intended for dynamic traffic loadings. Zurn 5.5 [140] wide reveal Class F Grate and Frame Ductile Iron slotted grate conforming to ASTM specification A536-84, Grade 80-55-06. The ductile iron grate is rated class F per the DIN EN1433 top load classifications. Supplied in 20 [508] nominal lengths with 0.5 [13] wide slots, and 2.8 [71] bearing depth. Grate has an open area of 21.00 sq. in per ft. [44,450 sq. mm per meter].

PREFIX OPTIONS (Check/specify appropriate options)

___ Z Six-foot, Eight-inch High Density Polyethylene (HDPE)*

SUFFIX OPTIONS (Check/specify appropriate options)

Outlet Adapters Add/Each

- ___ -E1 Closed End Cap
- ___ -E2 2 [51] No-Hub End Outlet
- ___ -E3 3 [76] No-Hub End Outlet
- ___ -E4 4 [102] No-Hub End Outlet
- ___ -E6 6 [152] No-Hub End Outlet
- ___ -U2 2 [51] No-Hub Bottom Outlet
- ___ -U3 3 [76] No-Hub Bottom Outlet
- ___ -U4 4 [102] No-Hub Bottom Outlet
- ___ -U6 6 [152] No-Hub Bottom Outlet

Frame Options

- ___ -SW Sidewall Extensions - 9" [229] High
- ___ -SW2 Sidewall Extensions - 18" [457] High

Grate Options (Load Classifications are per DIN EN1433)

- ___ -GFG Galvanized Ductile Iron Frame and Slotted Grate - Class F

Miscellaneous Options

- ___ -JC Joint Connector

MADE in the U.S.A. (Load Classifications are per DIN EN1433)

- ___ -FGF-USA Ductile Iron Frame and Slotted Grate - Class F
- ___ -GFG-USA Galvanized Ductile Iron Frame and Slotted Grate - Class F

Trench No.	'A' Shallow Inv.	'B' Deep Inv.	Flow		
			(cfs)	(gpm)	(lps)
8601	5.59 [142]	6.19 [157]	0.21	93	6
8602	6.19 [157]	6.79 [172]	0.27	122	8
8603	6.79 [172]	7.39 [188]	0.34	152	10
8603N	7.39 [188]	7.39 [188]	-	-	-
8604	7.39 [188]	7.99 [203]	0.41	183	12
8605	7.99 [203]	8.59 [218]	0.48	214	13
8606	8.59 [218]	9.19 [233]	0.55	245	15
8606N	9.19 [233]	9.19 [233]	-	-	-
8607	9.19 [233]	9.79 [249]	0.62	276	17
8608	9.79 [249]	10.39 [264]	0.69	308	19
8609	10.39 [264]	10.99 [279]	0.76	339	21
8610	10.99 [279]	11.59 [294]	0.83	371	23
8611	11.59 [294]	12.19 [310]	0.90	403	25
8612	12.19 [310]	12.79 [325]	0.97	435	27
8612N	12.79 [325]	12.79 [325]	-	-	-
8613	12.79 [325]	13.39 [340]	1.04	467	29
8614	13.39 [340]	13.99 [355]	1.11	498	31
8615	13.99 [355]	14.59 [471]	1.18	530	33

Supplied By:



877-903-7246

www.trenchdrainsupply.com

*REGULARLY FURNISHED UNLESS OTHERWISE SPECIFIED

REV. C DATE: 8/24/10 C.N. NO. 111590
 DWG. NO. 82534 PRODUCT NO. Z886-FGF

ZURN INDUSTRIES, LLC ♦ SPECIFICATION DRAINAGE OPERATION ♦ 1801 Pittsburgh Ave. ♦ Erie, PA 16514

Phone: 814/455-0921 ♦ Fax: 814/454-7929 ♦ World Wide Web: www.zurn.com

In Canada: ZURN INDUSTRIES LIMITED ♦ 3544 Nashua Drive ♦ Mississauga, Ontario L4V1L2 ♦ Phone: 905/405-8272 Fax: 905/405-1292