



Z874-U-4-HDG

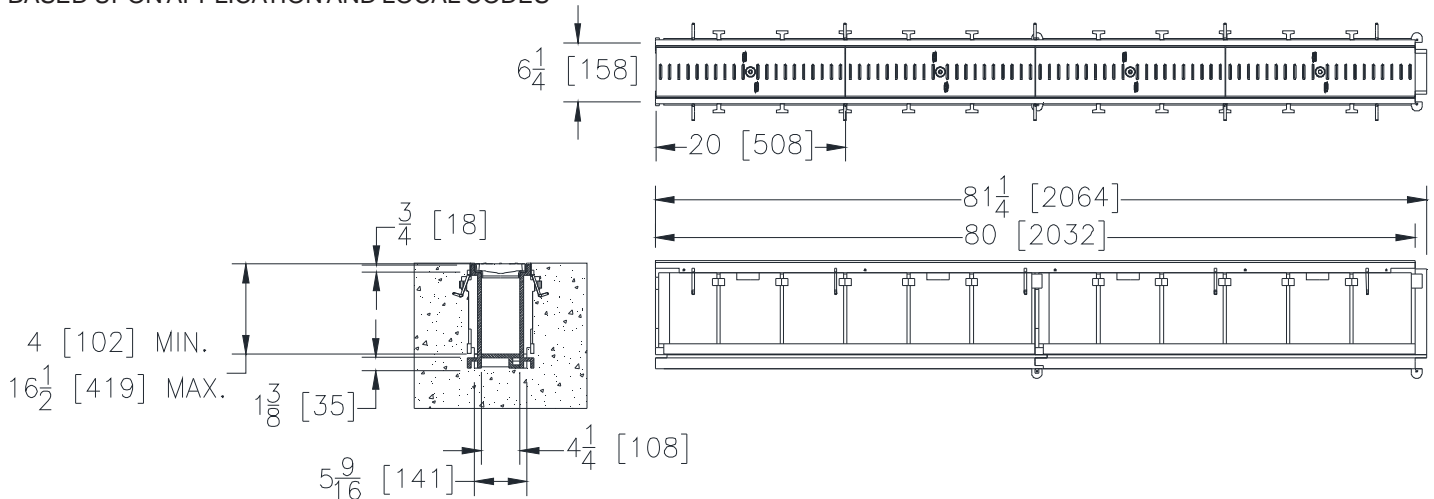
UTILITY TRENCH W/HEAVY DUTY GALVANIZED STEEL
FRAME, 4-1/4" THROAT WIDTH, & COVER

SPECIFICATION SHEET

TAG _____

Dimensional Data (inches and [mm]) are Subject to Manufacturing Tolerances and Change Without Notice

SPECIFYING ENGINEER IS RESPONSIBLE FOR
CONCRETE ENCASEMENT AND REINFORCING
BASED UPON APPLICATION AND LOCAL CODES



ENGINEERING SPECIFICATION: Zurn Z874-U-4-HDG Channels shall be 80 [2032] long, 6.25 [159] wide reveal and have a 4.25 [108] wide throat. Modular channel sections shall be made of 0% water absorbent High Density Polyethylene (HDPE). Shall have a positive mechanical connection between channel sections that will not separate during the installation and shall mechanically lock into the concrete surround every 10 [254]. Channels shall weigh less than 2.31 lbs. [1.05kg] per linear foot, smooth bottom with a Manning's coefficient of 0.009 and neutral 0% built in slope. Shall be provided with standard GCE-USA Ductile Iron Solid covers that lock down to frame. Zurn 5.375 [137] wide reveal Galvanized Ductile Iron Cover conforming to ASTM specification A536-84, Grade 80-55-06. Ductile Iron Cover is rated class E per the DIN EN1433 top load classifications. Supplied in 20 [508] nominal lengths and 0.75 [19] bearing depth. The 0.105 [2.66] thick Heavy-Duty Carbon Steel Galvanized Frame Assembly conforms to ASTM specification A36 and Galvanizing conforms to ASTM specification A123 with 10 - 4 [102] long concrete anchors per 80 [2032]. Grate lockdown bars are to be integral to the frame. All welds must be performed by a certified welder per ASTM standard AWS D1.1. Frames Shall be produced in the U.S.A.

PREFIX OPTIONS (Check/specify appropriate options)

- ___ Z Six-foot, Eight-inch High Density Polyethylene (HDPE) channel, Heavy Duty Galvanized Frame with anchor studs *

SUFFIX OPTIONS (Check/specify appropriate options)

Outlet Adapters Add/Each

- ___ -E1 Closed End Cap
- ___ -E2 2 [51] No-Hub End Outlet (6 [152] min.)
- ___ -E4 4 [102] No-Hub End Outlet (8 [203] min.)
- ___ -E6 6 [152] No-Hub End Outlet (10 [254] min.)
- ___ -U4 4 [102] No-Hub Bottom Outlet
- ___ -U6 6 [152] No-Hub Bottom Outlet

Grate Options (Load Classifications are per DIN EN1433)

- ___ -DC Ductile Iron Solid Cover - Class C
- ___ -GC Galvanized Ductile Iron Solid Cover - Class C
- ___ -RGCC Reinforced Galvanized Cover - Class C

Made in the U.S.A. (Load Classifications are per DIN EN1433)

- ___ -DCE-USA Ductile Iron Solid Cover - Class E
- ___ -GCE-USA Galvanized Ductile Iron Solid Cover - Class E *
- ___ -GC-USA Galvanized Steel Solid Cover - Class A

Miscellaneous Options

- ___ -DB Bottom Dome Strainer
- ___ -SSGL Stainless Steel Lockdown
- ___ -VP Vandal-Proof Lockdown

* Regularly furnished unless otherwise specified.

Supplied By:



877-903-7246

www.trenchdrainsupply.com

Zurn Industries, LLC | Specification Drainage Operation
 1801 Pittsburgh Avenue, Erie, PA U.S.A. 16502 · Ph. 855-663-9876, Fax 814-454-7929
 In Canada | Zurn Industries Limited
 3544 Nashua Drive, Mississauga, Ontario L4V 1L2 · Ph. 905-405-8272, Fax 905-405-1292
www.zurn.com

Rev. A
 Date: 06/04/14
 C.N. No. 131062
 Prod. | Dwg. No. Z874-U-4-HDG