



Z874-U-4-HD

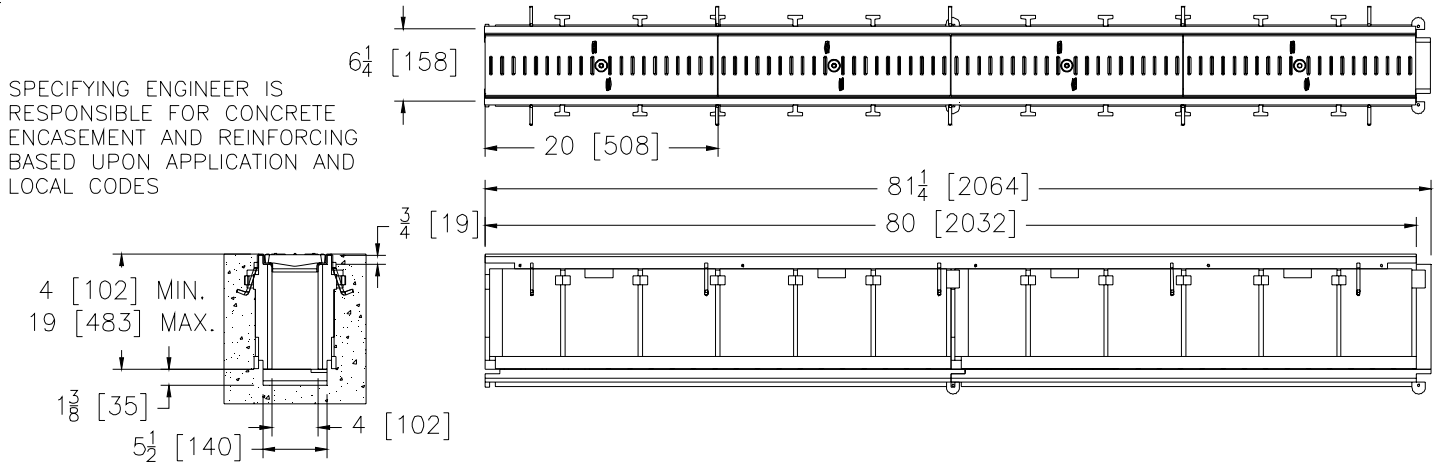
UTILITY TRENCH W/ HEAVY-DUTY FRAME

4 [102] THROAT WIDTH & COVER

SPECIFICATION SHEET

TAG _____

Dimensional Data (inches and [mm]) are Subject to Manufacturing Tolerances and Change Without Notice



ENGINEERING SPECIFICATION: ZurnZ874-U-4

Channels shall be 80 [2032] long, 6 .25 [159] wide reveal and have a 4 [102] wide throat. Modular channel sections shall be made of 0% water absorbent High Density Polyethylene (HDPE). Shall have a positive mechanical connection between channel sections that will not separate during the installation and shall mechanically lock into the concrete surround every 10 [254]. Channels shall weigh less than 2.31 lbs.[1.05kg] per linear foot, smooth bottom with a Manning's coefficient of .009 and neutral 0% built in slope. Shall be provided with standard DCE Ductile Iron Solid covers that lock down to frame. Zurn 6 [152] wide reveal Ductile Iron Solid Cover conforming to ASTM specification A536-84, Grade 80-55-06. Ductile Iron Solid Cover is rated class E per the DIN EN1433 top load classifications. Supplied in 20 [508] nominal lengths and 0.75 [19] bearing depth. The 0.105 [2.66] thick Heavy-Duty Carbon Steel Frame Assembly conforms to ASTM specification A36 with 10 - 4 [102] long concrete anchors per 80 [2032]. Grate lockdown bars are to be integral to the frame The frame is supplied with a powder coated finish. All welds must be performed by a certified welder per ASTM standard AWS D1.1. Frames Shall be produced in the U.S.A.

PREFIX OPTIONS (Check/specify appropriate options)

- Z Six-foot, Eight-inch High Density Polyethylene (HDPE) channel, Heavy Duty Frame with anchor studs *

SUFFIX OPTIONS (Check/specify appropriate options)

Outlet Adapters Add/Each

- E1 Closed End Cap
- E2 2 [51] No-Hub End Outlet (6 [152] min.)
- E4 4 [102] No-Hub End Outlet (8 [203] min.)
- E6 6 [152] No-Hub End Outlet (10 [254] min.)
- U4 4 [102] No-Hub Bottom Outlet
- U6 6 [152] No-Hub Bottom Outlet

Frame Options

- CBF Black Acid Resistant Coated Top Frame
- CWF White Acid Resistant Coated Top Frame

Grate Options (Load Classifications are per DIN EN1433)

- DCE Ductile Iron Solid Cover - Class E *
- GCE Galvanized Ductile Iron Solid Cover - Class E

Supplied By:

877-903-7246

www.trenchdrainsupply.com

Made in the U.S.A. (Load Classifications are per DIN EN1433)

- RGC Reinforced Galvanized Cover - Class A
- RSC Reinforced Stainless Steel Cover - Class A

Miscellaneous Options

- DB Bottom Dome Strainer
- SSGL Stainless Steel Lockdown
- VP Vandal-Proof Lockdown

*REGULARLY FURNISHED UNLESS OTHERWISE SPECIFIED

REV. A	DATE: 05/05/11	C.N. NO. 121219
DWG. NO. 301191	PRODUCT NO. Z874-U-4	

ZURN INDUSTRIES, LLC ♦ SPECIFICATION DRAINAGE OPERATION ♦ 1801 Pittsburgh Ave. ♦ Erie, PA 16514

Phone: 814/455-0921 ♦ Fax: 814/454-7929 ♦ World Wide Web: www.zurn.com

In Canada: ZURN INDUSTRIES LIMITED ♦ 3544 Nashua Drive ♦ Mississauga, Ontario L4V1L2 ♦ Phone: 905/405-8272 Fax: 905/405-1292