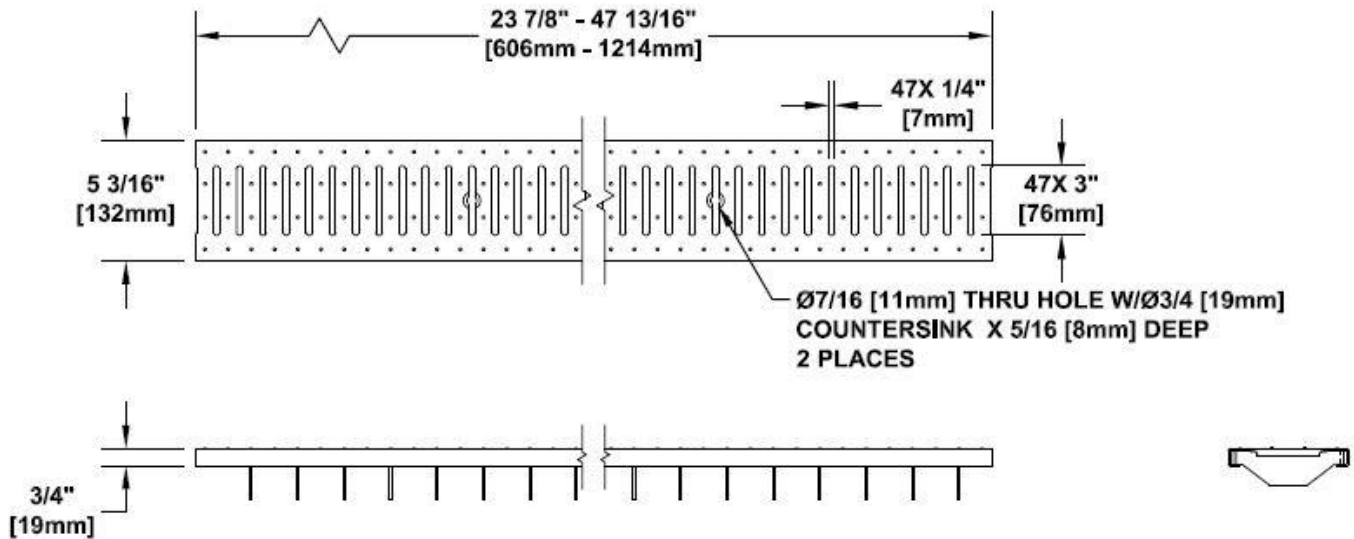
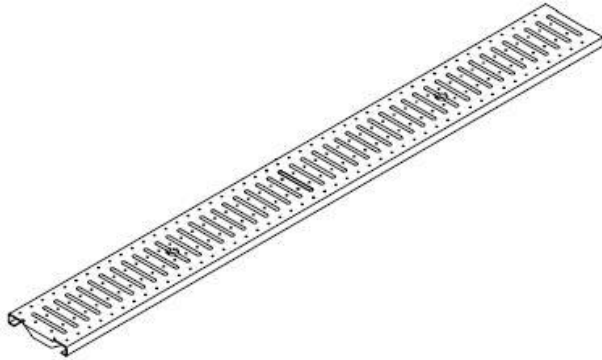


<p>Number</p> <p style="text-align: center;">DG0647R</p>	<p>Series</p> <p style="text-align: center;">TPC600</p> <p style="text-align: center;">C Class Reinforced Stainless Slotted Polycast 600</p>
--	--



DIN APPLICATION LOAD CLASS C:
Curb sides, highway shoulders, and parking areas
Designed for a distributed pressure of 56,200 lbs (250 kN).

Meets the following Standards & Specifications:

- DIN 19580 / DIN EN 1433 Drainage Channels for Vehicular and Pedestrian Areas
- Australian Standard AS 3996-2006 Clause 3.3.6

Manufacturer



Specification

POLYCAST DG0647R REINFORCED STAINLESS STEEL SLOTTED GRATE IS DESIGNED WHERE SANITARY CONDITIONS ARE ESSENTIAL. LOCKING DEVICE PART NO DA0642S SHOULD BE USED. THE GRATE HAS 20% (41IN2) OF OPEN AREA. THE GRATE IS MADE OF 14 GAUGE GR. 304 STAINLESS STEEL AND WEIGHS APPROXIMATELY 12 LBS. MEETS LOAD CLASS C.

DISCLAIMER - The customer and the customer's architects, engineers, consultants, and other professionals are completely responsible for the selection installation and maintenance of any product purchased from Trench Drain Supply and/or its manufacturers. TRENCH DRAIN SUPPLY MAKES NO WARRANTY, EXPRESS OR IMPLIED, AS TO THE SUITABILITY, DESIGN, MERCHANTABILITY, OR FITNESS OF THE PRODUCT FOR CUSTOMERS APPLICATION. The drawing and information provided remain the property and copyright of the manufacturer listed. The manufacturer reserves the right to modify specification without notice.