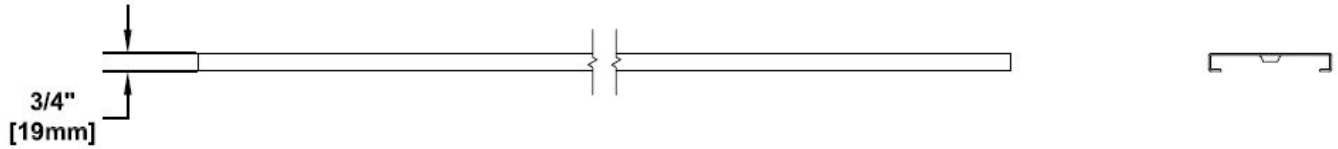
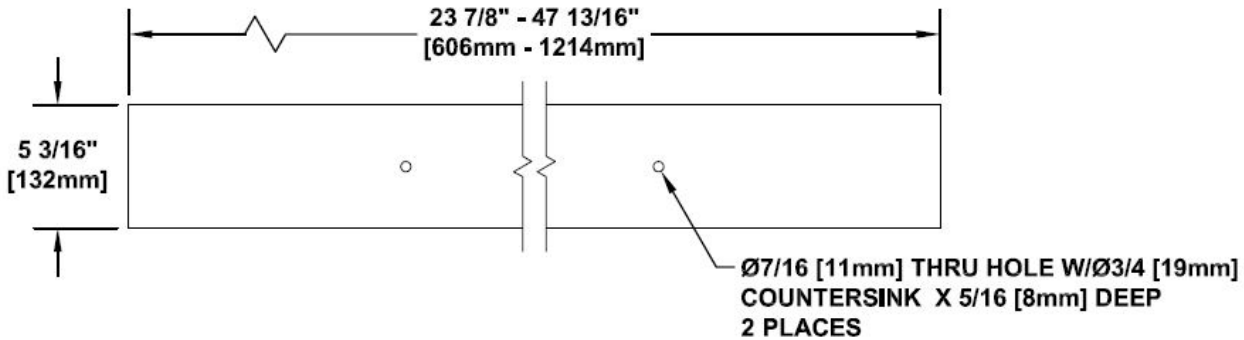
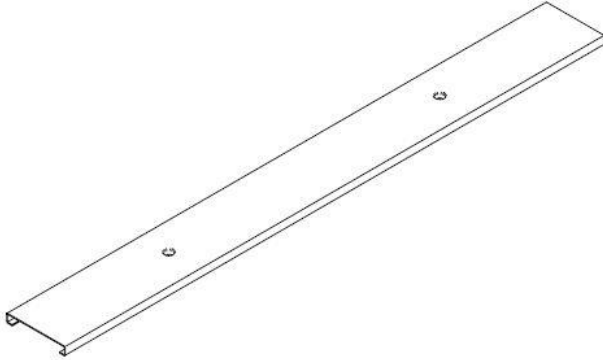


1-877-903-7246



www.trenchdrainsupply.com

<p>Number</p> <p style="text-align: center;">DG0645</p>	<p>Series</p> <p style="text-align: center;">TPC600</p> <p style="text-align: center;">A Class Galvanized Solid Cover Polycast 600</p>
---	--



Manufacturer



Specification

POLYCAST DG0645 GALVANIZED SOLID COVER IS DESIGNED FOR PIPE RUNS, E.G. SECONDARY CONTAINMENT OR CABLE RUNS. REMOVABLE COVER ALLOWS FULL ACCESS. LOCKING DEVICE PART NO DA0642 SHOULD BE USED. THE GRATE IS MADE OF HOT DIPPED GALVANIZED 14 GAUGE ASTM A36 STEEL AND WEIGHS APPROXIMATELY 8LBS. MEETS LOAD CLASS A.

DISCLAIMER - The customer and the customer's architects, engineers, consultants, and other professionals are completely responsible for the selection installation and maintenance of any product purchased from Trench Drain Supply and/or its manufacturers. TRENCH DRAIN SUPPLY MAKES NO WARRANTY, EXPRESS OR IMPLIED, AS TO THE SUITABILITY, DESIGN, MERCHANTABILITY, OR FITNESS OF THE PRODUCT FOR CUSTOMERS APPLICATION. The drawing and information provided remain the property and copyright of the manufacturer listed. The manufacturer reserves the right to modify specification without notice.