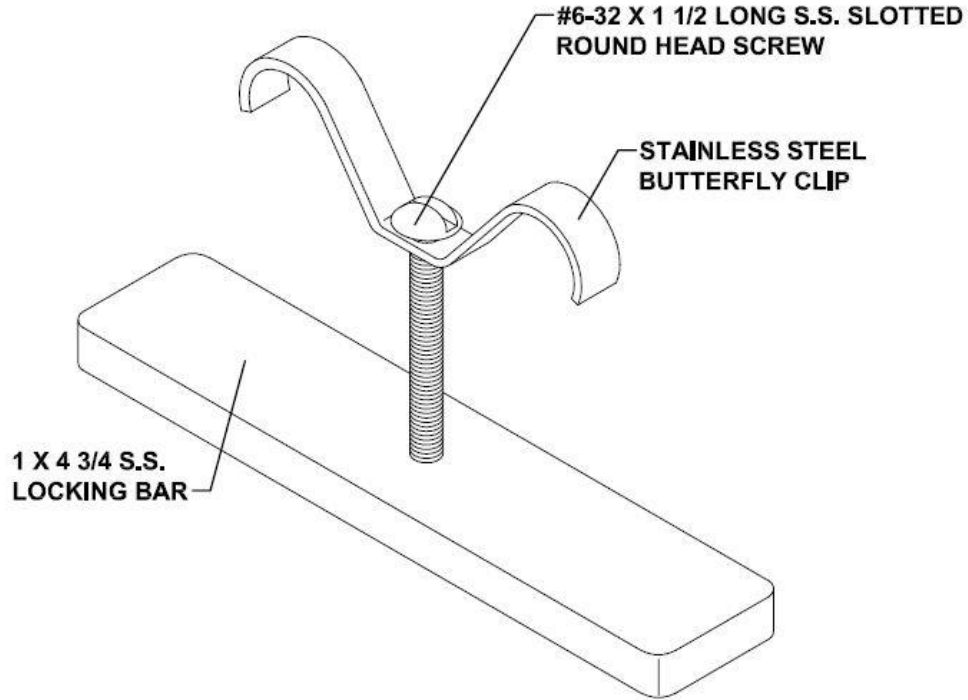


<p>Number</p> <p style="text-align: center;">DG0642F</p>	<p>Series</p> <p style="text-align: center;">TPC600</p> <p style="text-align: center;">Locking Device for Fiberglass Grates Polycast 600 Series</p>
--	---



Grate Options (Select One)			
<input checked="" type="checkbox"/>	Grate Type	Part No.	DIN Load Class
<input type="checkbox"/>	Fiberglass (5/8" Spacing)	DG0644	Class B
<input type="checkbox"/>	Fiberglass (3/8" Spacing)	DG0644SP	Class C

Manufacturer



Specification

POLYCAST DA0642F SERIES LOCKING DEVICES ARE TO BE USED WITH ALL GRATING SYSTEMS WHERE WHEEL TRAFFIC OCCURS. THIS IS NECESSARY TO PROVIDE SYSTEM INTEGRITY. TO BE USED WITH SYSTEMS WITH FIBERGLASS GRATES.

DISCLAIMER - The customer and the customer's architects, engineers, consultants, and other professionals are completely responsible for the selection installation and maintenance of any product purchased from Trench Drain Supply and/or its manufacturers. TRENCH DRAIN SUPPLY MAKES NO WARRANTY, EXPRESS OR IMPLIED, AS TO THE SUITABILITY, DESIGN, MERCHANTABILITY, OR FITNESS OF THE PRODUCT FOR CUSTOMERS APPLICATION. The drawing and information provided remain the property and copyright of the manufacturer listed. The manufacturer reserves the right to modify specification without notice.