

## TPC500 Complete Kit

Series

TPC500

Cut Sheet

Polycast 500 Series

### 6" Wide POLYCAST 500 Shallow Polymer Concrete Trench Drain Kit



A Class Galvanized Grates Standard

### New Polymer Concrete Shallow Trench Drain Complete Kit 6 Inch Wide - A Class Galvanized Grate Standard.

#### Complete system - Each Kit Includes:

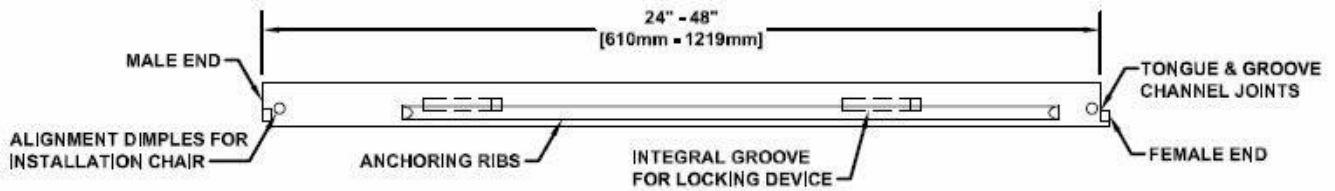
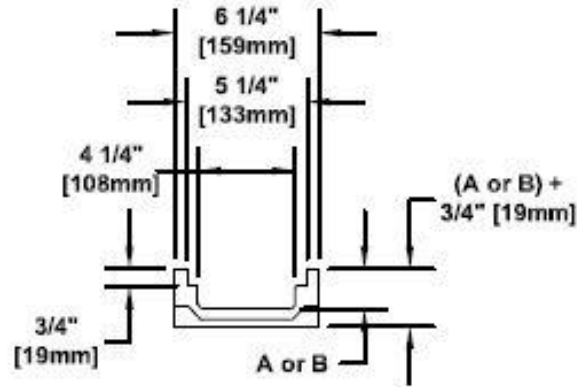
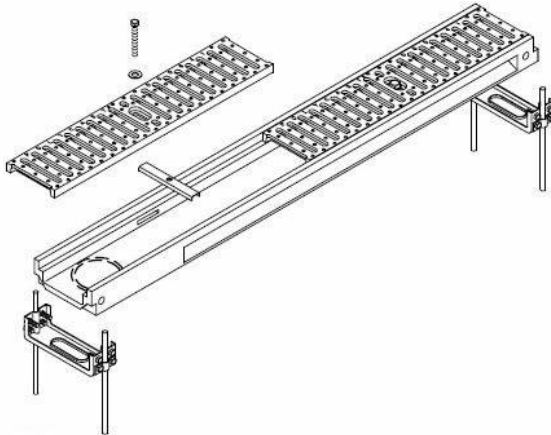
- Specified Number of 48" Long Sections of Shallow 500 Channel.
- Specified Number of A Class Galvanized Slotted Grates Standard.
- 2 End Caps Solid - (Outlet End Cap Not available in Shallow).
- Galvanized Lockdowns for Grates.

#### Upgrades Available :

- UPGRADE Grate to C Class or E Class Ductile Iron. ADA Options Available.
- ADD Installation Chairs.
- ADD 2 foot Extension.



<b>Number</b>  <p style="text-align: center;"><b>DP0500</b></p>	<b>Series</b>  <p style="text-align: center;"><b>TPC500</b> Channel Polycast 500</p>
---	--



<input checked="" type="checkbox"/> Channel Number	Weight (LBS.)	Inlet Dim 'A'	Outlet Dim 'B'
<input type="checkbox"/> 500 w/ 4" Bottom Drill Out (Non-Sloped)	25	1-3/4	1-3/4
<input type="checkbox"/> 500H w/ 4" Bottom Drill Out (Non-Sloped 24")	12	1-3/4	1-3/4

**Manufacturer**

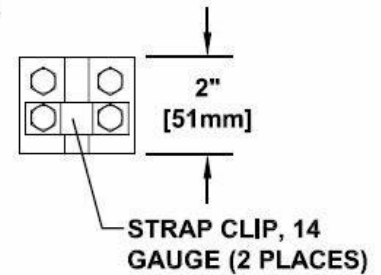
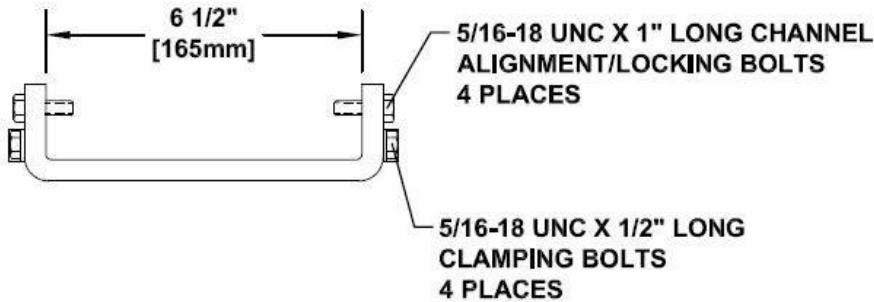
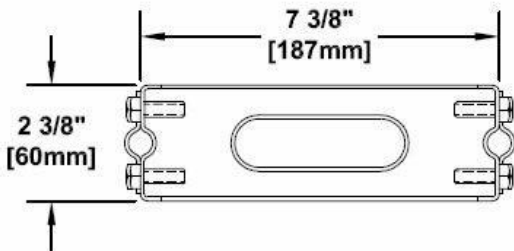
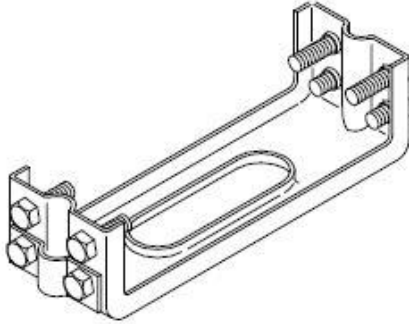


**Specification**

POLYCAST 500 SERIES SHALLOW NON -SLOPED TRENCH DRAIN SYSTEM S A NON-SLOPING TRENCH DRAIN WITH 6 1/4-WIDE X A NOMINAL 48+LONG POLYESTER POLYMER CONCRETE CHANNELS WITH TONGUE AND GROOVE CONNECTIONS. CHANNEL WILL BE SUPPLIED WITH DRILL OUTS FOR 4+BOTTOM OUTLET. INSTALLATION CHAIRS RECOMENDED FOR INSTALLATION.

DISCLAIMER - The customer and the customer's architects, engineers, consultants, and other professionals are completely responsible for the selection installation and maintenance of any product purchased from Trench Drain Supply and/or its manufacturers. TRENCH DRAIN SUPPLY MAKES NO WARRANTY, EXPRESS OR IMPLIED, AS TO THE SUITABILITY, DESIGN, MERCHANTABILITY, OR FITNESS OF THE PRODUCT FOR CUSTOMERS APPLICATION. The drawing and information provided remain the property and copyright of the manufacturer listed. The manufacturer reserves the right to modify specification without notice.

<p><b>Number</b></p> <p style="text-align: center;"><b>DA0633</b></p>	<p><b>Series</b></p> <p style="text-align: center;"><b>TPC600 / 700</b></p> <p style="text-align: center;">Steel Installation Chair Polycast 600 / 700 Series</p>
---	---



**Manufacturer**



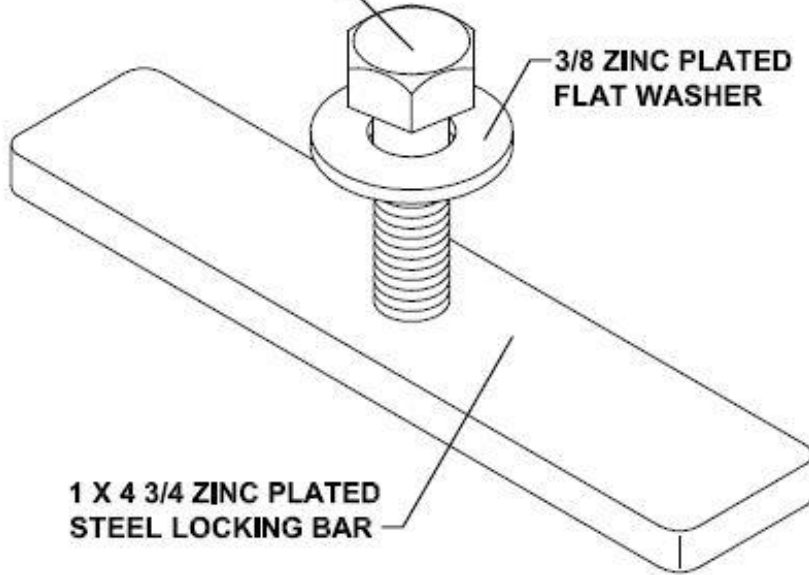
**Specification**

POLYCAST DA0633 INSTALLATION CHAIR IS THE MOST EFFICIENT AND ECONOMICAL MEANS OF SETTING A PRECAST TRENCH. THE INSTALLATION CHAIR SUPPORTS THE ENDS OF THE CHANNELS, ALIGNS AND LOCKS THE JOINTS RIGIDLY TOGETHER AND PREVENTS THE CHANNELS FROM FLOATING. THE CHAIR IS MADE OF 1018 HOT ROLLED STEEL WITH A ZINC PLATED FINISH AND WEIGHS 1 LBS.

DISCLAIMER - The customer and the customer's architects, engineers, consultants, and other professionals are completely responsible for the selection installation and maintenance of any product purchased from Trench Drain Supply and/or its manufacturers. TRENCH DRAIN SUPPLY MAKES NO WARRANTY, EXPRESS OR IMPLIED, AS TO THE SUITABILITY, DESIGN, MERCHANTABILITY, OR FITNESS OF THE PRODUCT FOR CUSTOMERS APPLICATION. The drawing and information provided remain the property and copyright of the manufacturer listed. The manufacturer reserves the right to modify specification without notice.

<b>Number</b>  <b>DA0542B</b>	<b>Series</b>  <b>TPC500</b> Locking Devices Polycast 500
-------------------------------------	---

3/8-16 UNC X 1 1/4 LONG ZINC  
PLATED HEX HEAD BOLT



3/8 ZINC PLATED  
FLAT WASHER

1 X 4 3/4 ZINC PLATED  
STEEL LOCKING BAR

Grate Options (Select One)			
<input checked="" type="checkbox"/>	Grate Type	Part No.	DIN Load Class
<input type="checkbox"/>	Cast Iron Slotted	DG0641	Class C
<input type="checkbox"/>	Ductile Iron Slotted	DG0641D	Class D
<input type="checkbox"/>	Cast Iron Solid (ADA Compliant)	DG0641S	Class D
<input type="checkbox"/>	Ductile Iron Longitudinal Slotted (ADA Compliant)	DG0675HD	Class D

**Manufacturer**



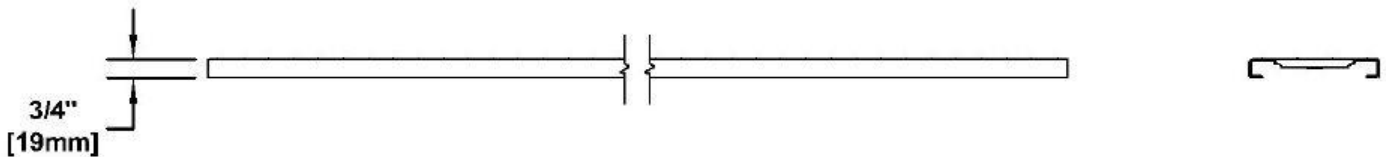
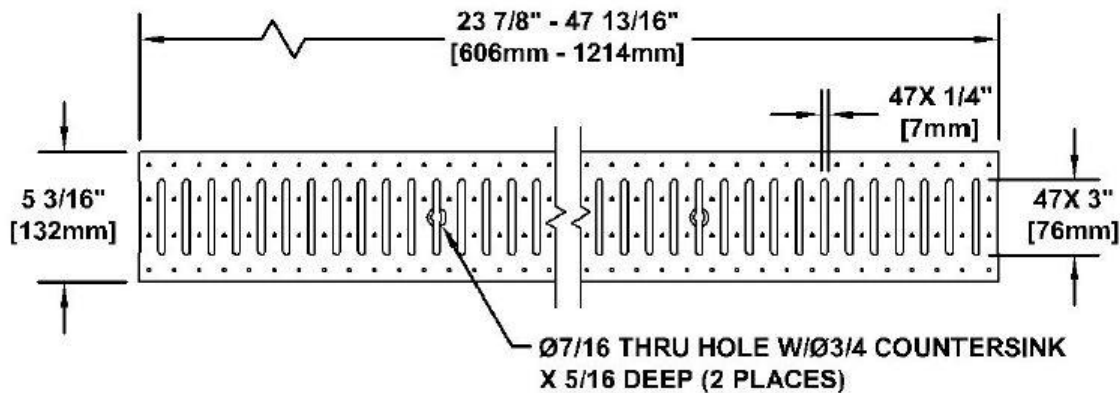
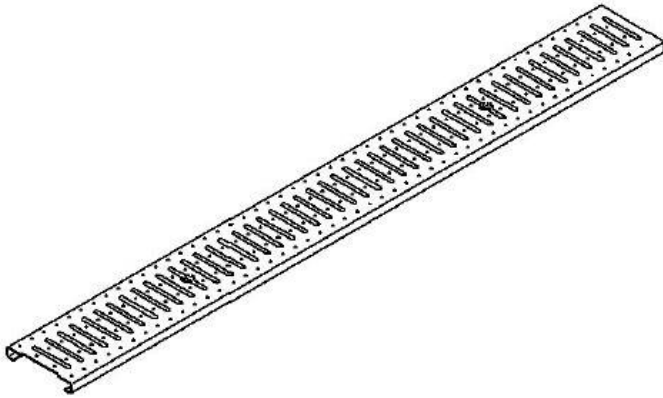
**Specification**

POLYCAST 500 SERIES DA0542B LOCKING DEVICES ARE TO BE USED WHERE WHEEL TRAFFIC OCCURS. THIS IS NECESSARY TO PROVIDE SYSTEM INTEGRITY.

DISCLAIMER - The customer and the customer's architects, engineers, consultants, and other professionals are completely responsible for the selection installation and maintenance of any product purchased from Trench Drain Supply and/or its manufacturers. TRENCH DRAIN SUPPLY MAKES NO WARRANTY, EXPRESS OR IMPLIED, AS TO THE SUITABILITY, DESIGN, MERCHANTABILITY, OR FITNESS OF THE PRODUCT FOR CUSTOMERS APPLICATION. The drawing and information provided remain the property and copyright of the manufacturer listed. The manufacturer reserves the right to modify specification without notice.

1-877-903-7246

<p>Number <b>DG0640</b></p>	<p>Series <b>TPC600</b> A Class Galvanized Polycast 600 Series</p>
---------------------------------	--



**Manufacturer**

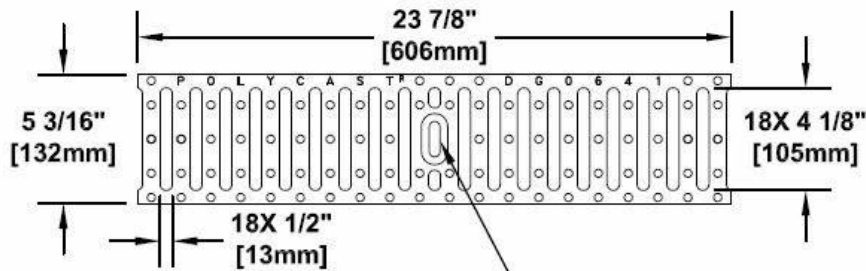
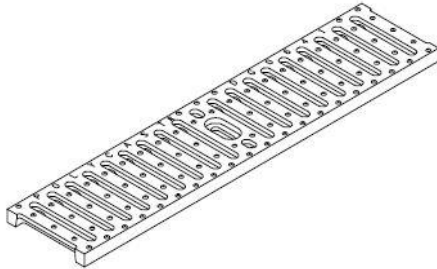


**Specification**

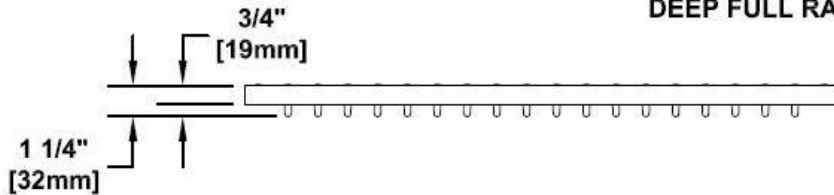
POLYCAST DG0640 IS APPROPRIATE FOR MANY GENERAL USE CONDITIONS. GRATE LOCKING DEVICE PART NO DA0642 SHOULD BE USED AND MAINTAINED SECURE. THE GRATE HAS 20% (41IN<sup>2</sup>) OF OPEN AREA. THE GRATE IS MADE OF HOT DIPPED GALVANIZED 14 GAUGE ASTM A36 STEEL AND WEIGHS APPROXIMATELY 8LBS. MEETS LOAD CLASS A.

DISCLAIMER - The customer and the customer's architects, engineers, consultants, and other professionals are completely responsible for the selection installation and maintenance of any product purchased from Trench Drain Supply and/or its manufacturers. TRENCH DRAIN SUPPLY MAKES NO WARRANTY, EXPRESS OR IMPLIED, AS TO THE SUITABILITY, DESIGN, MERCHANTABILITY, OR FITNESS OF THE PRODUCT FOR CUSTOMERS APPLICATION. The drawing and information provided remain the property and copyright of the manufacturer listed. The manufacturer reserves the right to modify specification without notice.

<p><b>Number</b></p> <p style="text-align: center;"><b>DG0641</b></p>	<p><b>Series</b></p> <p style="text-align: center;"><b>TPC600 / 700</b></p> <p style="text-align: center;">C Class Ductile Iron Grate Polycast 600 / 700 Series</p>
---	---



**7/16 [11mm] X 1 7/16 [37mm] FULL RADIUS THRU SLOT W/ 1 1/16 [27mm] X 2 1/16 [52mm] X 5/16 [8mm] DEEP FULL RADIUS RECESS**



**DIN APPLICATION LOAD CLASS C:**  
Curb sides, highway shoulders, and parking areas  
Designed for a distributed pressure of 56,200 lbs (250 kN).

Meets the following Standards & Specifications:

- DIN 19580 / DIN EN 1433 Drainage Channels for Vehicular and Pedestrian Areas
- Australian Standard AS 3996-2006 Clause 3.3.6

**Manufacturer**

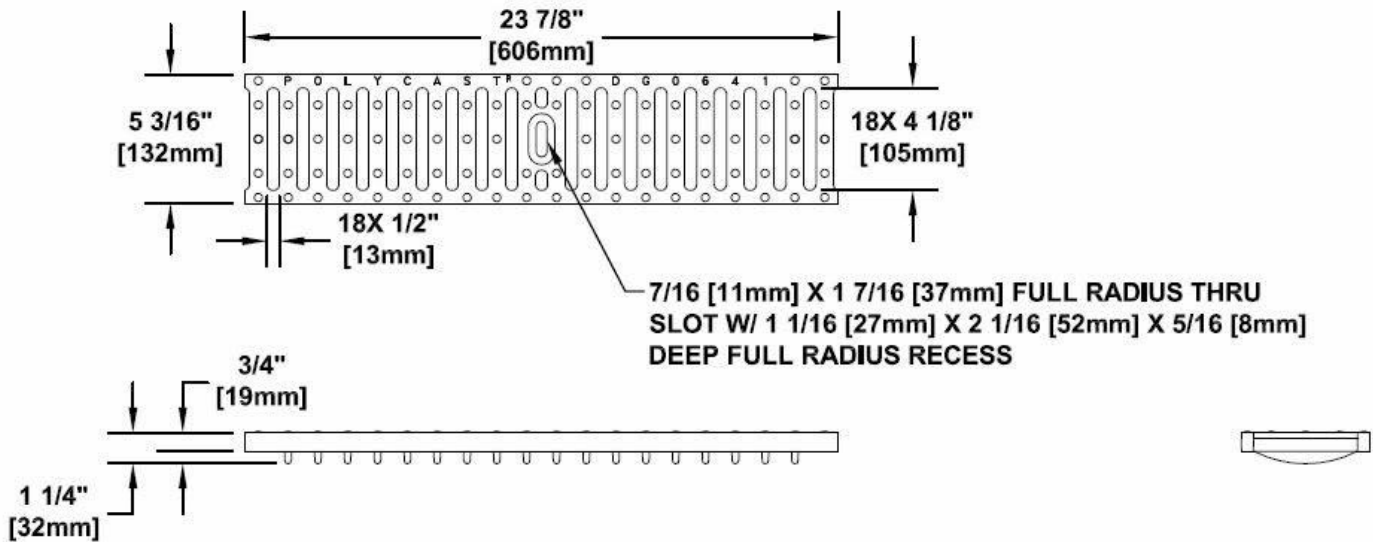
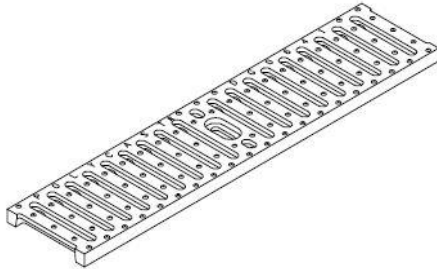


**Specification**

POLYCAST DG0641 IS APPROPRIATE FOR MANY GENERAL USE CONDITIONS. GRATE LOCKING DEVICE PART NO DA0642B SHOULD BE USED AND MAINTAINED SECURE. THE GRATE HAS 39% (40IN<sup>2</sup>) OF OPEN AREA. THE GRATE IS MADE OF ASTM A48 GR. 30-B OR GR. 35-B AND WEIGHS APPROXIMATELY 14LBS. THE GRATE IS ONLY AVAILABLE IN A 24q(610mm) LENGTH. MEETS LOAD CLASS C.

**DISCLAIMER** - The customer and the customer's architects, engineers, consultants, and other professionals are completely responsible for the selection installation and maintenance of any product purchased from Trench Drain Supply and/or its manufacturers. TRENCH DRAIN SUPPLY MAKES NO WARRANTY, EXPRESS OR IMPLIED, AS TO THE SUITABILITY, DESIGN, MERCHANTABILITY, OR FITNESS OF THE PRODUCT FOR CUSTOMERS APPLICATION. The drawing and information provided remain the property and copyright of the manufacturer listed. The manufacturer reserves the right to modify specification without notice.

<p><b>Number</b></p> <p style="text-align: center;"><b>DG0641D</b></p>	<p><b>Series</b></p> <p style="text-align: center;"><b>TPC600 / 700</b></p> <p style="text-align: center;">D Class Ductile Iron Grate Polycast 600 / 700 Series</p>
--	---



**DIN APPLICATION LOAD CLASS D:**  
 Trafficked sections of roads and highways  
 Designed for a distributed pressure of 89,900 lbs (400 kN).

Meets the following Standards & Specifications:

- DIN 19580 / DIN EN 1433 Drainage Channels for Vehicular and Pedestrian Areas
- Australian Standard AS 3996-2006 Clause 3.3.6

**Manufacturer**

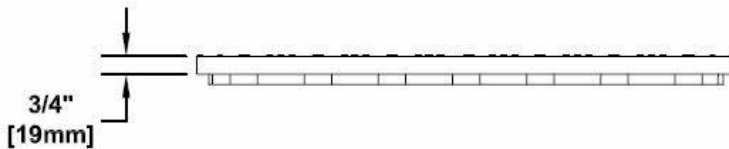
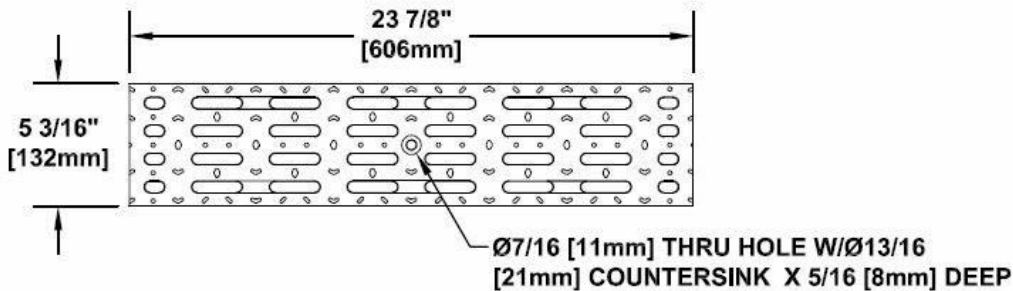
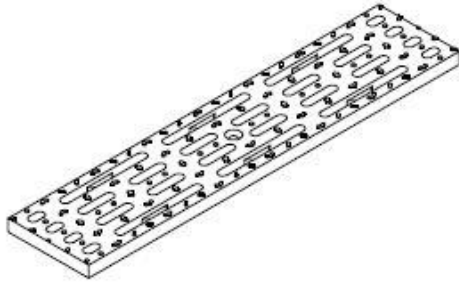


**Specification**

POLYCAST DG0641D IS APPROPRIATE FOR MANY GENERAL USE CONDITIONS. LOCKING DEVICE SHOULD BE USED. THE GRATE HAS 39% (40IN2) OF OPEN AREA. THE GRATE IS MADE OF ASTM A536 GR. 65-45-12 AND WEIGHS 13LBS. 24qLENGTH. LOAD CLASS D WHEN USED ALONE IN A 600 SERIES CHANNEL. MEETS LOAD CLASS E WHEN USED IN CONJUNCTION WITH A DG0700AA FRAME.

**DISCLAIMER** - The customer and the customer's architects, engineers, consultants, and other professionals are completely responsible for the selection installation and maintenance of any product purchased from Trench Drain Supply and/or its manufacturers. TRENCH DRAIN SUPPLY MAKES NO WARRANTY, EXPRESS OR IMPLIED, AS TO THE SUITABILITY, DESIGN, MERCHANTABILITY, OR FITNESS OF THE PRODUCT FOR CUSTOMERS APPLICATION. The drawing and information provided remain the property and copyright of the manufacturer listed. The manufacturer reserves the right to modify specification without notice.

<p><b>Number</b></p> <p style="text-align: center;"><b>DG0675</b></p>	<p><b>Series</b></p> <p style="text-align: center;"><b>TPC600</b> A Class HDPE ADA Slotted Polycast 600</p>
---	---



**Manufacturer**



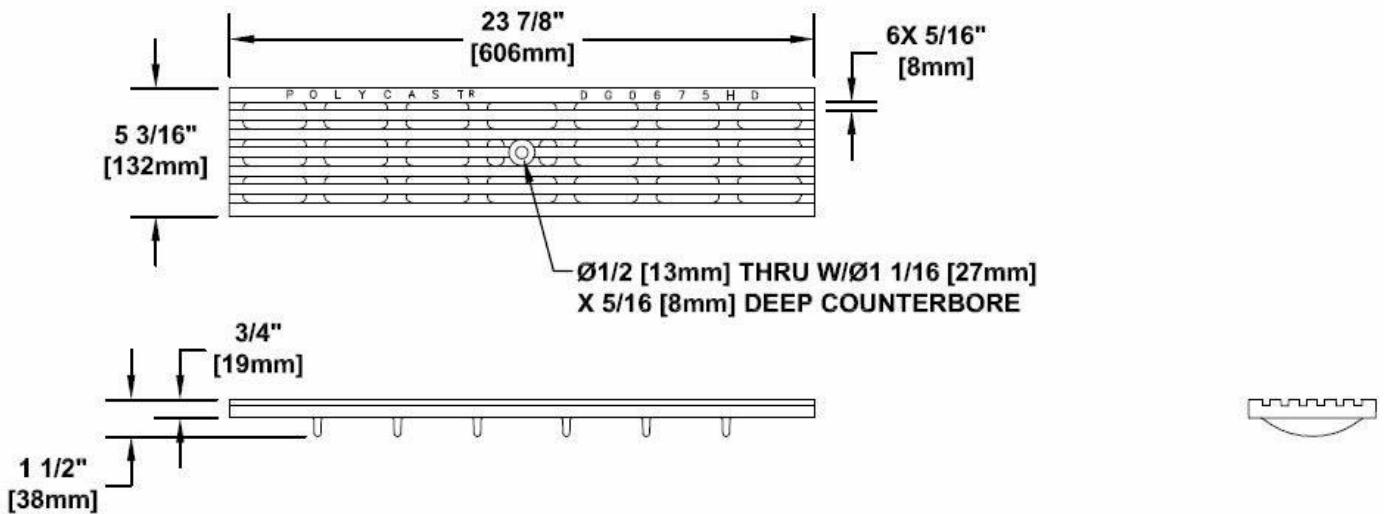
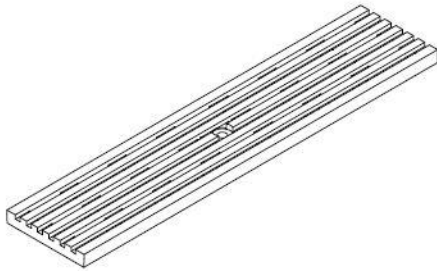
**Specification**

POLYCAST DG0675 GRATE IS A HIGH DENSITY POLYETHYLENE ADA GRATE. WHEN USED IN HIGH VELOCITY TRANSVERSE SHEET FLOW APPLICATIONS, THE LONGITUDINAL SLOTS CREATE TURBULENCE TO IMPROVE ENTRY OF FLOW INTO THE CHANNEL. LOCKING DEVICE PART NO DA0642 SHOULD BE USED. THE GRATE HAS 23% (28 IN<sup>2</sup>) OF OPEN AREA. MEETS LOAD CLASS A.

DISCLAIMER - The customer and the customer's architects, engineers, consultants, and other professionals are completely responsible for the selection installation and maintenance of any product purchased from Trench Drain Supply and/or its manufacturers. TRENCH DRAIN SUPPLY MAKES NO WARRANTY, EXPRESS OR IMPLIED, AS TO THE SUITABILITY, DESIGN, MERCHANTABILITY, OR FITNESS OF THE PRODUCT FOR CUSTOMERS APPLICATION. The drawing and information provided remain the property and copyright of the manufacturer listed. The manufacturer reserves the right to modify specification without notice.



<p><b>Number</b></p> <p style="text-align: center;"><b>DG0675HD</b></p>	<p><b>Series</b></p> <p style="text-align: center;"><b>TPC600 / 700</b> D DI ADA Longitudinal Grate Polycast 600 / 700 Series</p>
---	---



**DIN APPLICATION LOAD CLASS D:**

Trafficked sections of roads and highways

Designed for a distributed pressure of 89,920 lbs (400 kN).

**Meets the following Standards & Specifications:**

- DIN 19580 / DIN EN 1433 Drainage Channels for Vehicular and Pedestrian Areas
- The Americans with Disabilities Act of 1990: 4.5.4
- Australian Standard AS 3996-2006 Clause 3.3.6

**Manufacturer**



**Specification**

POLYCAST DG0675HD DUCTILE IRON LONGITUDINALLY SLOTTED ADA GRATE HAS 26% (32IN<sup>2</sup>) OF OPEN AREA. THE GRATE IS MADE OF ASTM A536 GR. 65-45-12 AND WEIGHS 15LBS. 24qLENGTH. LOAD CLASS D WHEN USED ALONE IN A 600 SERIES CHANNEL.. MEETS LOAD CLASS E WHEN USED IN CONJUNCTION WITH A DG0700AA FRAME. LOCKING DEVICES SHOULD BE USED TO SECURE.

DISCLAIMER - The customer and the customer's architects, engineers, consultants, and other professionals are completely responsible for the selection installation and maintenance of any product purchased from Trench Drain Supply and/or its manufacturers. TRENCH DRAIN SUPPLY MAKES NO WARRANTY, EXPRESS OR IMPLIED, AS TO THE SUITABILITY, DESIGN, MERCHANTABILITY, OR FITNESS OF THE PRODUCT FOR CUSTOMERS APPLICATION. The drawing and information provided remain the property and copyright of the manufacturer listed. The manufacturer reserves the right to modify specification without notice.