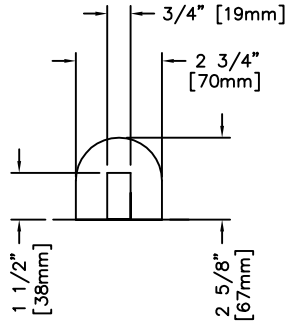


DRILL & TAP THRU, 1/4 -20 UNC

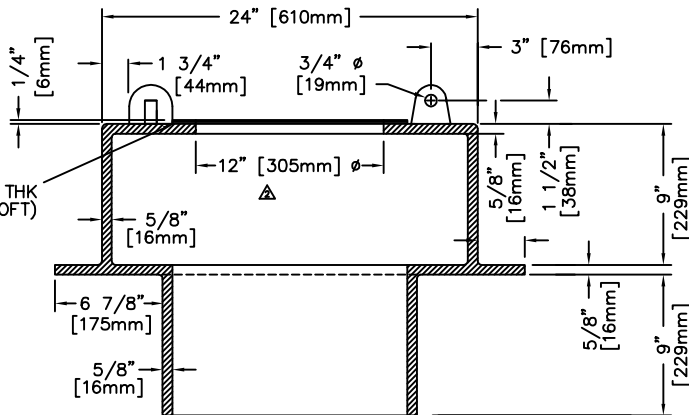
BRASS CAP SCREW(13085) FOR BRASS SASH CHAIN 8" LONG (#35)

BRASS WEDGE SEE DETAIL

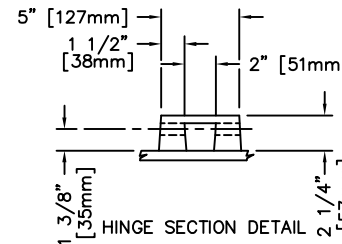
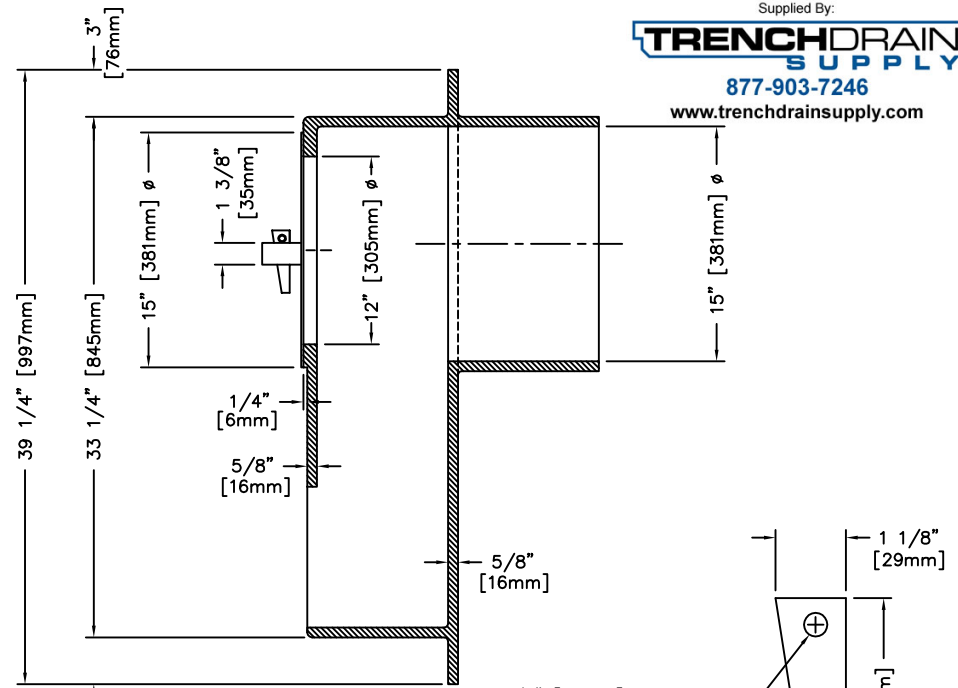


LUG DETAIL QUARTER SCALE

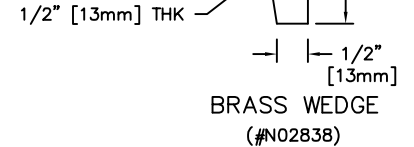
12" I.D. X 15" O.D. X 1/8" THK NEOPRENE GASKET(DEAD SOFT) 15 DUROMETER +-5 (N02729) GLUE TO SEAT w/ CARBOLINE NEOPRENE ADHESIVE



NEENAH FOUNDRY CO. 0000-0219



3/8" [10mm] Ø HOLE FOR 1/4"-20 X 1" BRASS BOLT & NUT (#13087)



NOTE: ALL DIMENSIONS SHOWN ARE IN ENGLISH AND [METRIC].

MATERIAL: CAST GRAY IRON ASTM A-48, CLASS 35B

FINISH: NO PAINT

WEIGHT: 497#

DATE	REVISION	INT
10/20/95	ADD 4" LONG OPENING IN FLANGE	CSK
12/17/87	CORRECTED SECTION VIEW	DMA
10/15/87	ADDED LUG, HINGE DIMS	DB
3/20/87	RELEASED	

DR. <i>P. Weber</i>	SCALE 1/8"=1"	TITLE: R-9928 15" CATCH BASIN TRAP
CH.	DIM CHK.	NEENAH FOUNDRY COMPANY NEENAH WISCONSIN 54956
APP.		INF NF-00000219 B
DATE 10/15/87		