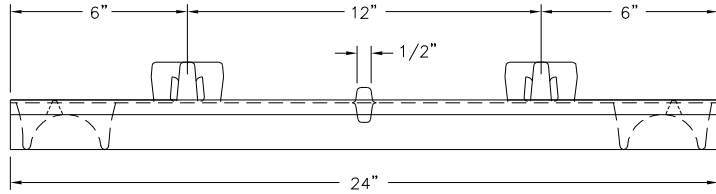


Supplied By:

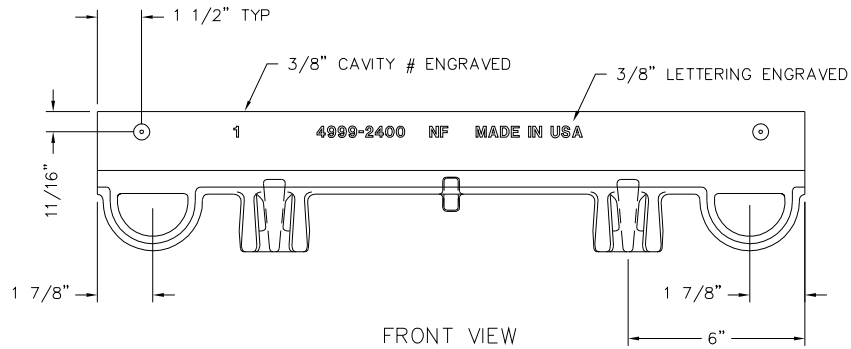
**TRENCHDRAIN
SUPPLY**

877-903-7246

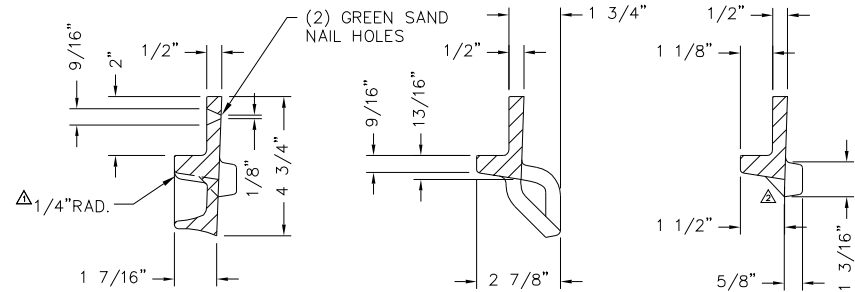
www.trenchdrainsupply.com



TOP VIEW



FRONT VIEW

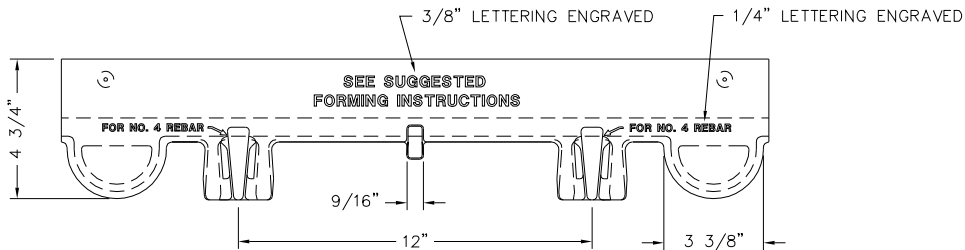


POCKET VIEW

LUG VIEW

REBAR STOP VIEW

SECTION VIEWS



BACK VIEW

MATERIAL: CAST GRAY IRON ASTM A-48, CLASS 35A

FINISH: NO PAINT

WEIGHT: 14#

DR. SMA	SCALE 1/4"=1"	TITLE: R-4990 AIRPORT STYLE TYPE 'B' FRAME W/ ANCHOR LUGS & DEBRIS CHUTES
CH.	DIM CHK.	NEENAH FOUNDRY NEENAH WISCONSIN 54956
APP.	DATE 05-09-2007	
www.neenahfoundry.com		PHONE: 1-800-558-5075

DATE	REVISION	INT
06-05-2013	CHANGED THE METAL SPEC PER RYAN HERNIKE	ELN
01-23-2013	ADDED NAIL HOLES	CAG
03-14-2008	ADDED 45 DEGREE TO STOP	SMA
08-16-2007	ADDED 1/4" RADIUS TO POCKET	SMA

NF- 49992400 B