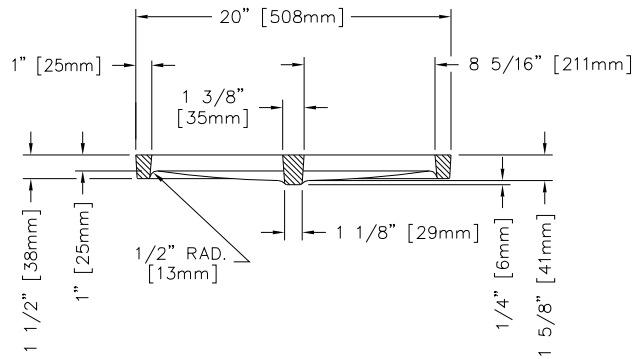
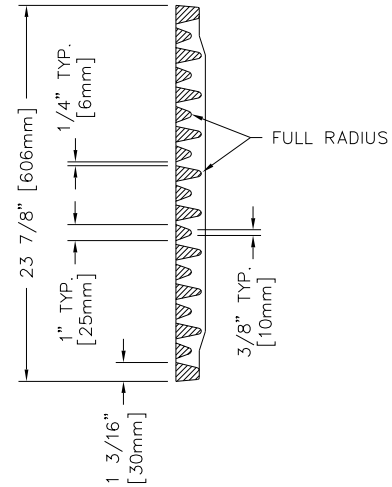
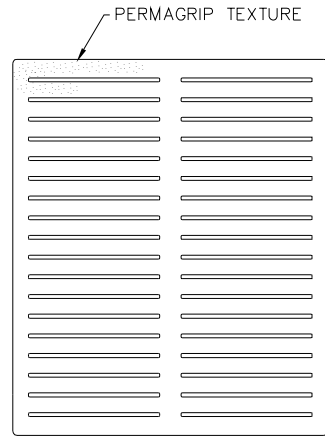


49903209 -

3

B8



Supplied By:
TRENCHDRAIN SUPPLY
 877-903-7246
 www.trenchdrainsupply.com

NOTE: ALL DIMENSIONS SHOWN ARE IN ENGLISH AND [METRIC].
 MATERIAL: CAST GRAY IRON ASTM A-48, CLASS 35B
 FREE OPEN AREA: .52 SQ. FT.
 FINISH: NO PAINT

DR. E. REMME	SCALE 1/8"=1"	TITLE: R-4990-FX TYPE "P" GRATE
CH.		
APP.	DIM CHK.	NEENAH FOUNDRY COMPANY NEENAH WISCONSIN 54956
DATE 07-27-95		

2-10-12	ADD PERMAGRIP TEXTURE	CSM
8-01-95	REDUCED DEPTH OF SECOND RIBS	ELR
DATE	REVISION	INT