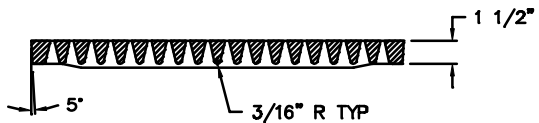
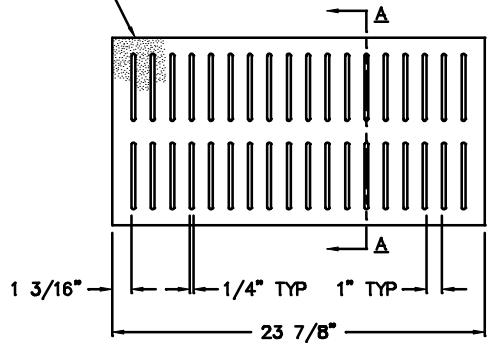
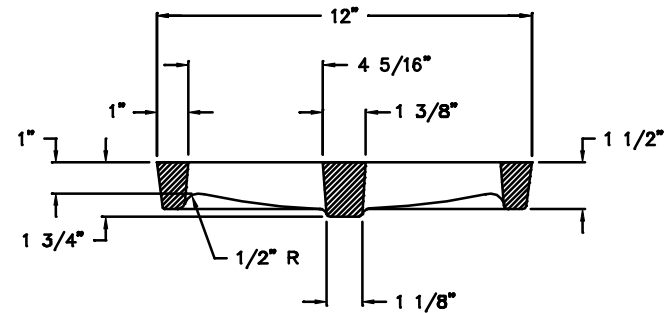


49903129-1 B8

"PERMA-GRIP"
ANTI-SLIP SURFACE



FULL SECTION



Supplied By:

**TRENCHDRAIN
SUPPLY**

877-903-7246

www.trenchdrainsupply.com

NOTE: ALL DIMENSIONS SHOWN ARE IN ENGLISH
MATERIAL: CAST GRAY IRON ASTM A-48, CLASS 35B
FINISH: NO PAINT
WEIGHT: 69#

DR.	E. REMME	SCALE	TITLE:	
CH.		$\frac{1}{8}''=1''$	R-4990-CX TYPE "P" GRATE	
APP.		DM CHK.	NEENAH FOUNDRY COMPANY NEENAH WISCONSIN 54909	NF- 49903129
DATE	03-02-90			