

49902415-5

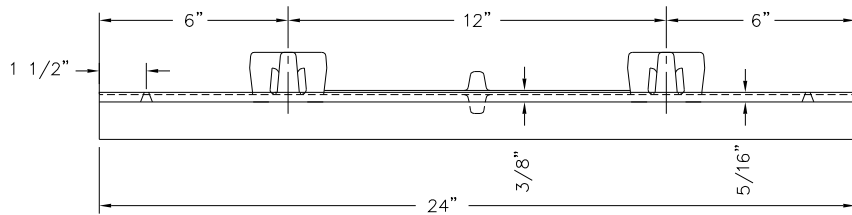
B4

Supplied By:

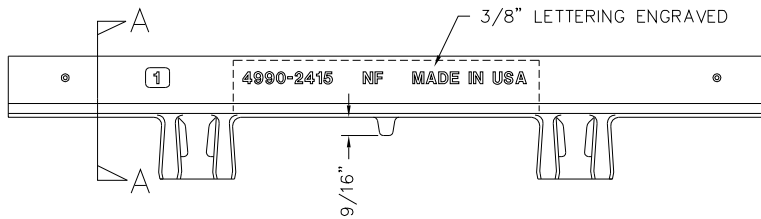
**TRENCHDRAIN
SUPPLY**

877-903-7246

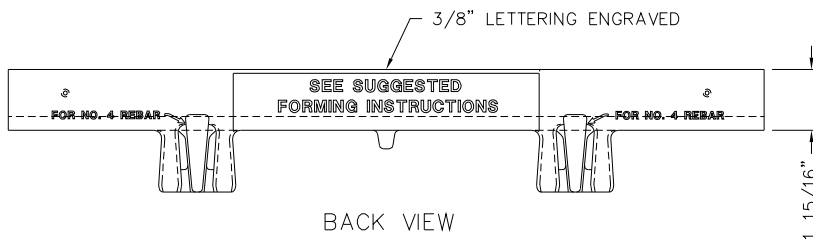
www.trenchdrainsupply.com



TOP VIEW

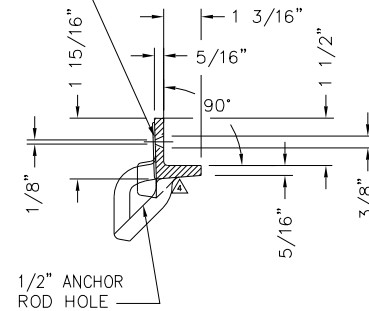


FRONT VIEW



BACK VIEW

1/8" GREEN SAND
NAIL HOLE (4 REQ.)



1/2" ANCHOR
ROD HOLE

SECTION A-A

MATERIAL: CAST GRAY IRON ASTM A-48, CLASS 35B

FINISH: NO PAINT

WEIGHT: 8#

			DR. SMA	SCALE	TITLE:
			CH.	1/4"=1"	R-4990-AX TO HX 1 1/2" X 24" LONG TYPE "X" FRAME
▲	03-14-2008	ADDED MAT'L TO STOP	SMA		DIM CHK. NEENAH FOUNDRY COMPANY NEENAH WISCONSIN 54956
▲	03-11-2008	REMOVED MAT'L FOR BOLTING	SMA		
▲	10-2-2007	REMOVED 1/8" MATERIAL	SMA		
▲	07-25-2007	ADDED EXTRA MAT'L FOR BOLTING	LMA	DATE 4-20-2007	
▲	DATE	REVISION	INT		NF-49902415 B