

49992415-

8

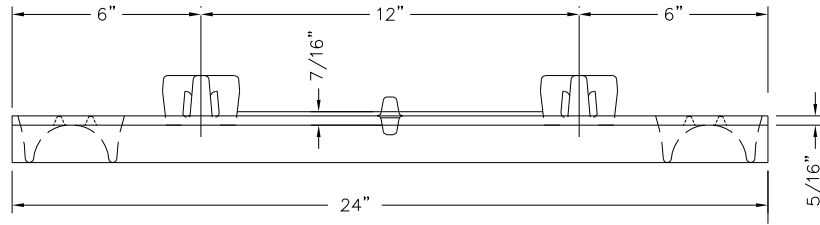
B4

Supplied By:

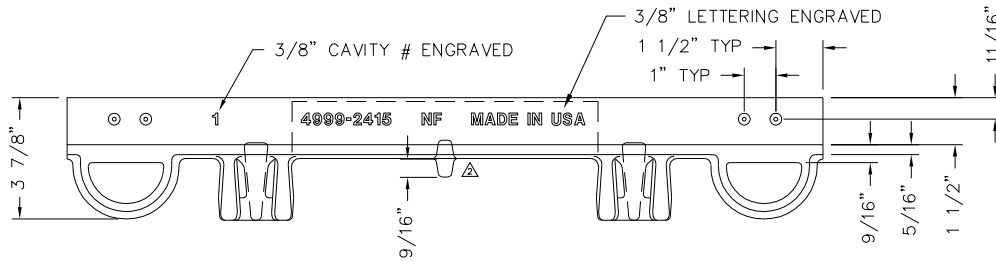
**TRENCHDRAIN  
SUPPLY**

877-903-7246

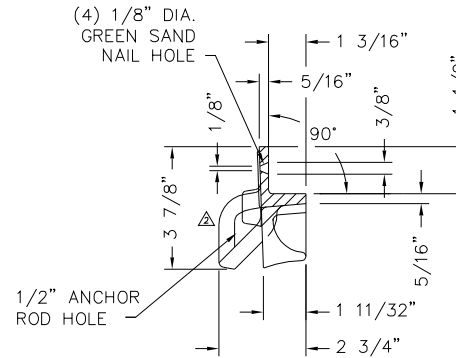
www.trenchdrainsupply.com



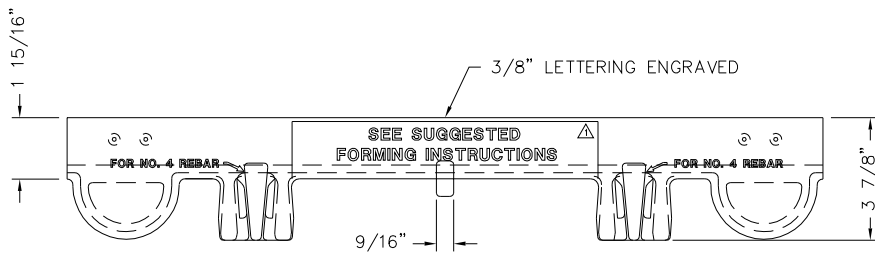
TOP VIEW



FRONT VIEW



SECTION A-A



BACK VIEW

NOTE: FOR NON-BOLTED TRENCH, CONTRACTOR IS RESPONSIBLE FOR CUTTING THE FRAMES IN THE FIELD TO SIZE AT CORNERS AND ENDS OF RUNS.

MATERIAL: CAST GRAY IRON ASTM A-48, CLASS 35A

FINISH: NO PAINT

WEIGHT: 8#

DATE	REVISION	ELN	CAG	SPT	DR.	SCALE	TITLE:
09-23-2013	ADDED NOTE ABOUT CUTTING THE FRAMES IN THE FIELD	ELN	CAG	SPT	SMA	1/4"=1"	R-4990-AX THRU R-4990-HX
06-05-2013	CHANGED MATERIAL SPEC. PER RYAN HERNKE	RKB			CH.		24" LONG X 1 1/2" TYPE 'B' SIDE PC. FRAME
05-21-2013	ADDED 2 ADDITIONAL HOLES	CAG			APP.	DIM CHK.	NEENAH FOUNDRY COMPANY NEENAH WISCONSIN 54956
01-23-2013	ADDED NAIL HOLES	RKB					
12-01-2009	ADDED DIMS TO SECTION VIEW	SMA					
03-20-2008	ADDED 45 DEGREE GUSSET	SMA					
10-2-2007	REMOVED 1/8" MATERIAL OF THICKENED SECTION	DR	CH	APP	DATE 05-09-2007		