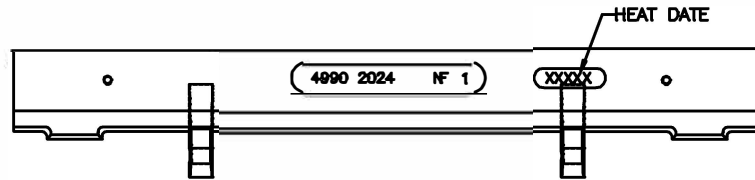
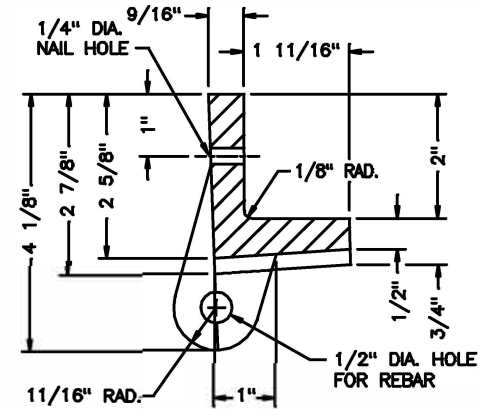
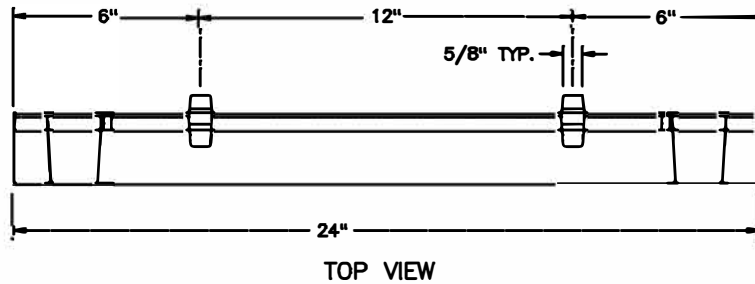
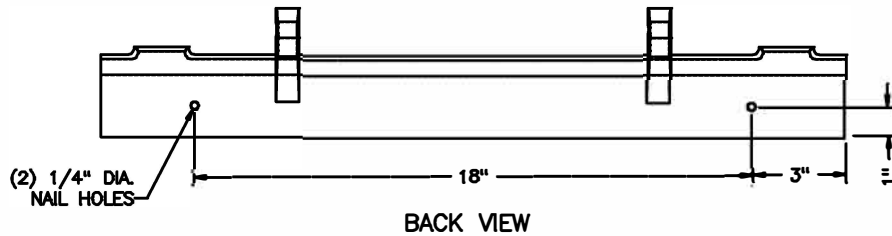
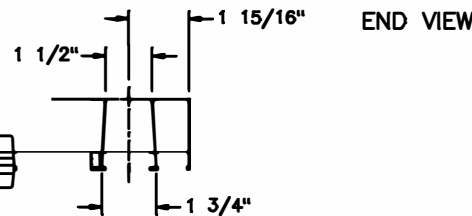
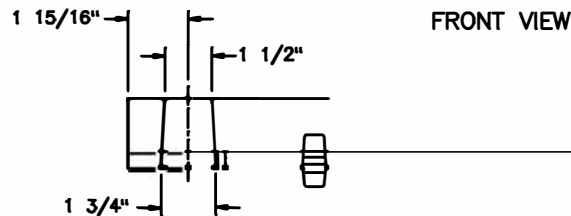


# 49902024-3

# B4



MATERIAL: CAST GRAY IRON ASTM A-48, CLASS 35B  
FINISH: NO PAINT  
WEIGHT: 16#



Supplied By:

**TRENCHDRAIN  
SUPPLY**

877-903-7246

www.trenchdrainsupply.com

CAD DWG. REF: 49902024.DWG-3

DR. E. REMME	SCALE 1/4"=1"	TITLE: R-4990-JX TO OX 2" X 24" LONG TYPE "X" FRAME
CH.		
APP.	DATE 5-01-98	DMB CHC.
NEENAH FOUNDRY COMPANY NEENAH, WISCONSIN 54956		<b>INF</b> NF-49902024 B