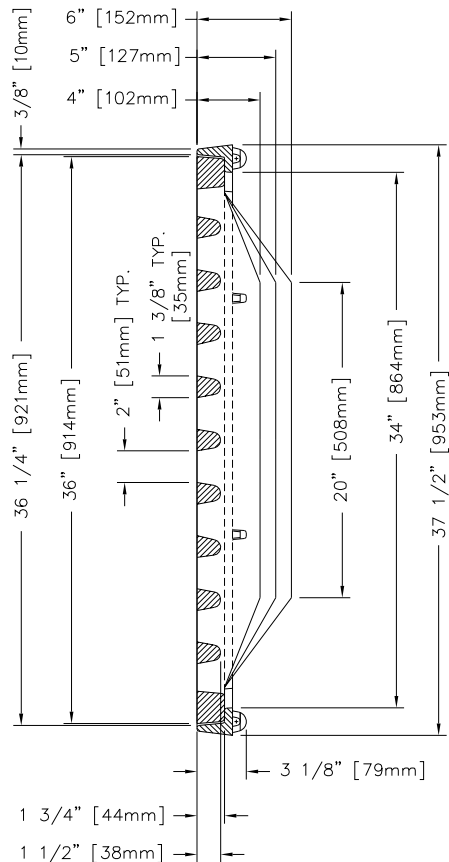
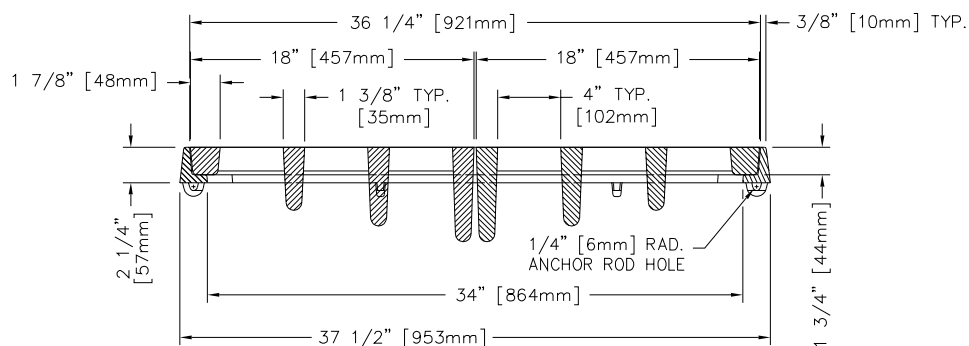
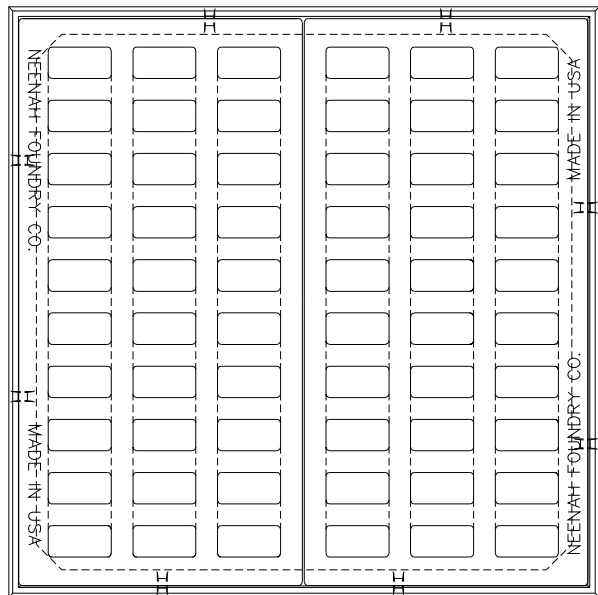


Supplied By:

**TRENCH DRAIN  
SUPPLY**

877-903-7246

www.trenchdrainsupply.com



NOTE: ALL DIMENSIONS SHOWN ARE IN ENGLISH AND [METRIC].

MEETS HS-20 LOADING REQUIREMENTS.

COMPONENT NO'S: FRAME 4884-7002; GRATE (2) PCS. 3437-0001

MATERIAL: CAST GRAY IRON ASTM A-48, CLASS 35B

FINISH: NO PAINT

WEIGHT: FRAME 65#; GRATE 224# EA.

DR.	CSK	SCALE	TITLE:
CH.		1/8"=1"	R-4884-A
APP.		DIM CHK.	ANGLE FRAME w/ 8 ANCHOR LUGS
DATE	12-03-96		NEENAH FOUNDRY COMPANY NEENAH WISCONSIN 54956
			<b>NF</b> NF-4884 695 B

06-19-2013	CORRECTED GRATE WEIGHT	CAG
DATE	REVISION	INT