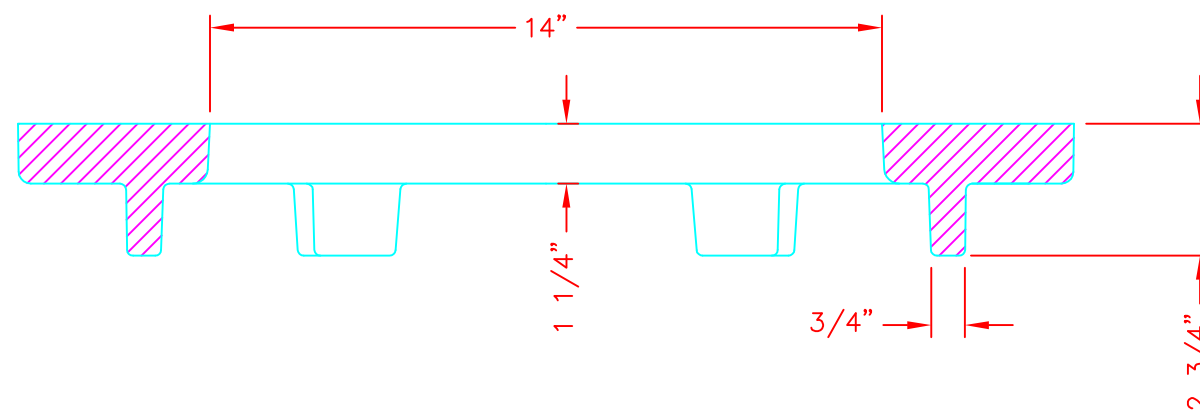
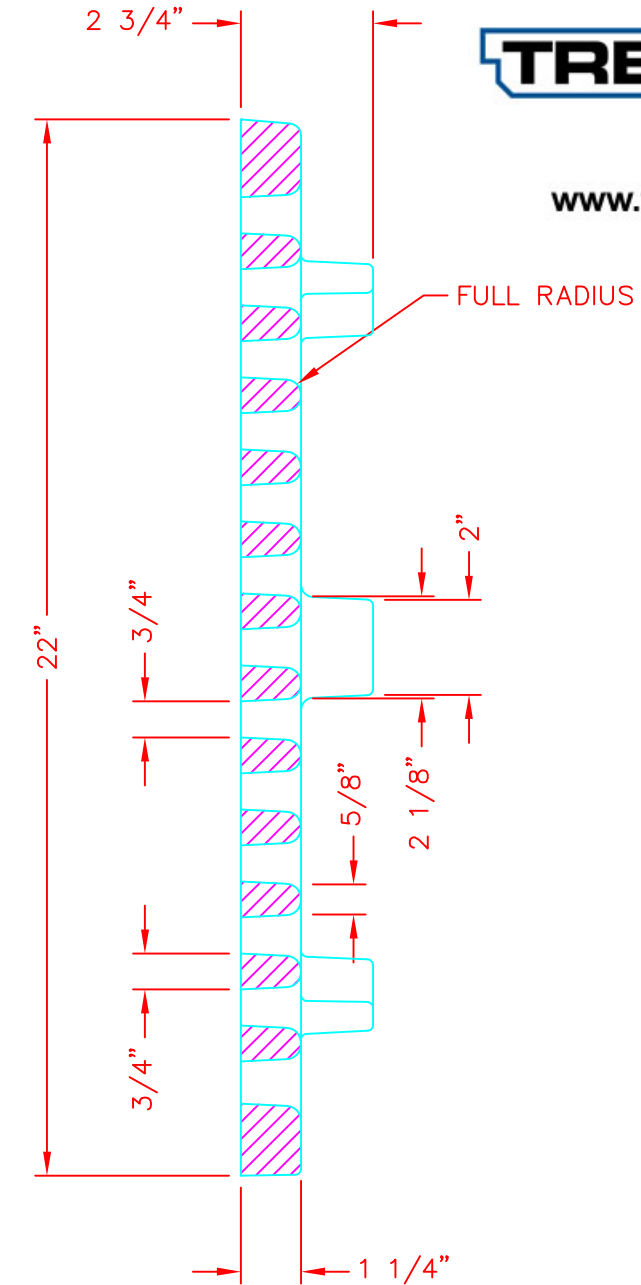
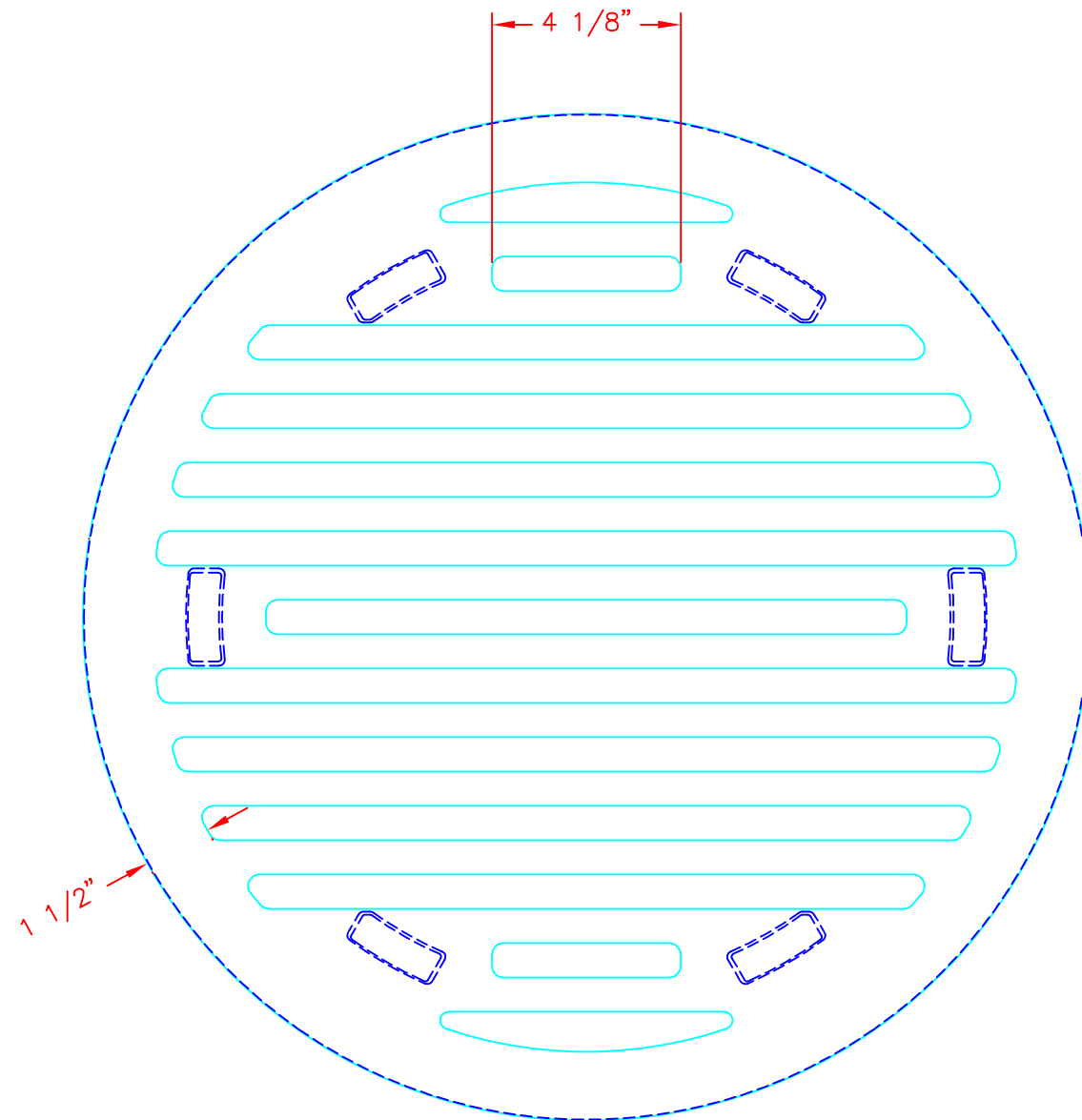


Supplied By:

**TRENCHDRAIN  
SUPPLY**

877-903-7246

www.trenchdrainsupply.com



NOTE: ALL DIMENSIONS ARE SHOWN IN ENGLISH AND [METRIC].  
 FREE OPEN AREA: 124 IN.<sup>2</sup> OR .9 FT.<sup>2</sup>  
 MATERIAL: CAST GRAY IRON ASTM A-48, CLASS 35B  
 FINISH: NOT PAINTED  
 WEIGHT: 81#

DR.	CSK	SCALE	TITLE:
CH.		1/4"=1"	R-4040-18 TYPE "E" GRATE
APP.		DIM CHK.	NEENAH FOUNDRY COMPANY NEENAH WISCONSIN 54956
DATE	7-27-2000		NF- 40401806 B

DATE	REVISION	INT
10-05-2008	CHG. TO MATCH D40401800	CSM
11-27-2000	ADDED 1/4" RADIUS TO LUGS	LMA

CAD DWG. REF: 40401806.DWG- 3