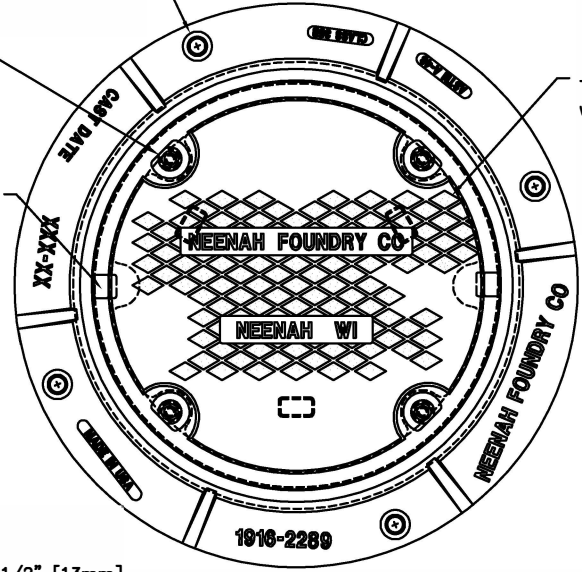


(4) 1" [25mm] DIA. ANCHOR BOLT HOLES ON A 33" [838mm] DIA. B.C.

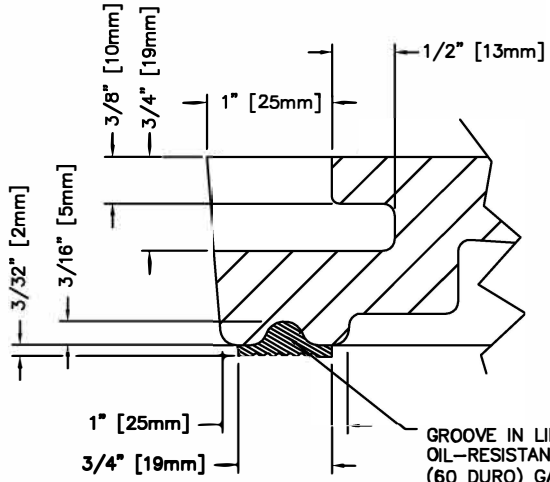
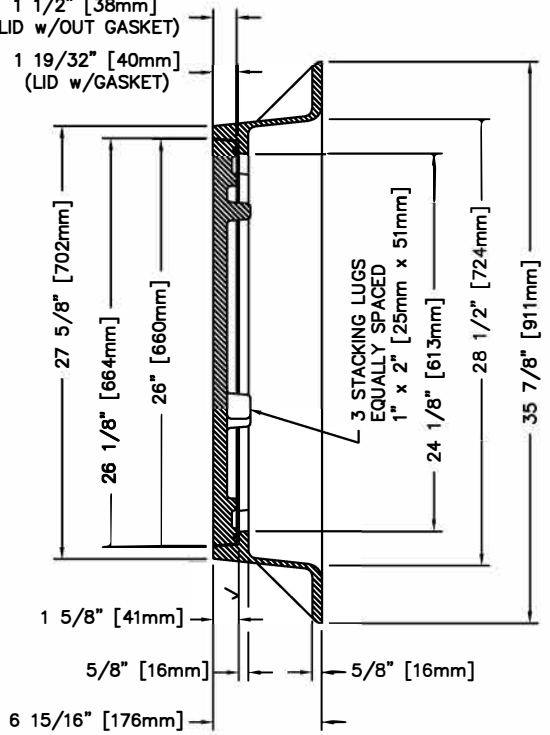
(4) DEPRESSED BOLT HOLES FOR BOLTING LID TO FRAME w/ 1/2-13 X 2 1/4" STNLS. STL. HEX HD. BOLT AND WASHER, 90° APART ON 22 13/16" [579mm] DIA. B.C.

(2) CONCEALED PICK HOLE 180° APART PER NF22642

TYPE "C" COPE LID DESIGN w/ PERMAGRIP TEXTURE



1 1/2" [38mm] (LID w/OUT GASKET)
1 19/32" [40mm] (LID w/GASKET)



GROOVE IN LID SEAT FOR OIL-RESISTANT T-GASKET, NITRILE (60 DURO) GASKET NO. 02797

T-SEAL w/ CONCEALED PICKHOLE FULL SCALE

Supplied By:

TRENCH DRAIN SUPPLY

877-903-7246

www.trenchdrainsupply.com

COMPONENT NO'S: FRAME 1916-2289, LID 1916-5293
MATERIAL: CAST GRAY IRON ASTM A-48, CLASS 35B
FINISH: NOT PAINTED

CAD DWG. REF: 1916 444.DWG-1

DR. CAG	SCALE 1/8"=1"	TITLE R-1916-F WATERTIGHT FRAME AND TYPE "C" PLATEN LID
CH.		
APP.	DIM CHK.	NEENAH FOUNDRY COMPANY
DATE 04-18-2012		NEENAH WISCONSIN 54058 INF NF-1916 444 B