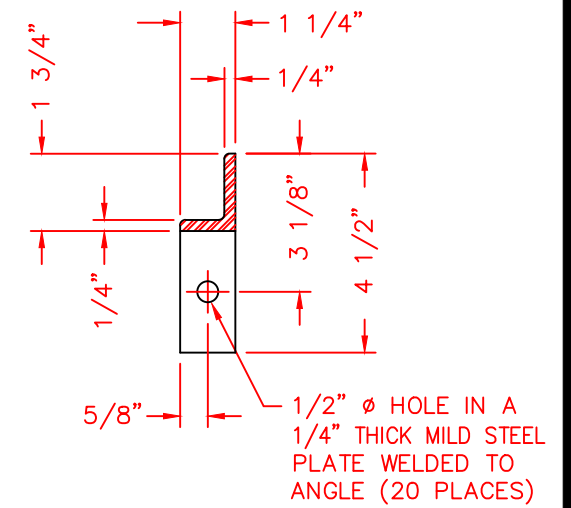
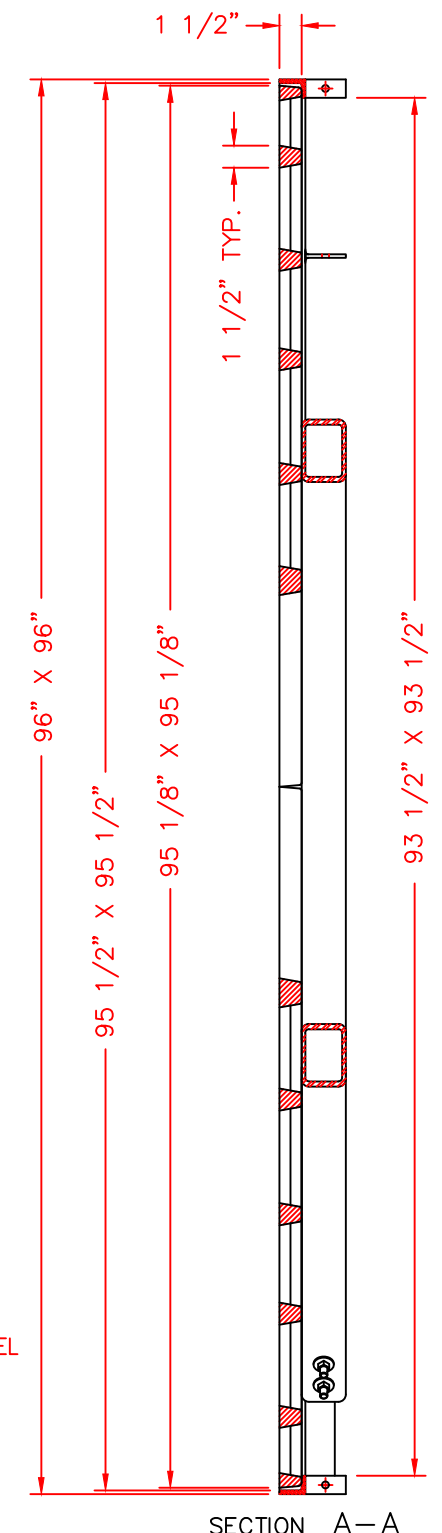


1 3/4" X 1 1/4" X 1/4"
STEEL ANGLE IRON
A36 HOT ROLLED MILD STEEL



FRAME SECTION VIEW
(SCALE 1:4)

Supplied By:
TRENCHDRAIN SUPPLY
877-903-7246
www.trenchdrainsupply.com

COMPONENT NO'S: TREE GRATE (4) 8784-0001, FRAME (1) 9992-0096
MATERIAL: TREE GRATE - CAST GRAY IRON ASTM A48, CLASS 35B,
FRAME - A36 HOT ROLLED MILD STEEL
FINISH: NO PAINT STD., OR PER SPECS. ON CUSTOMER PURCHASE ORDER
WEIGHT: TREE GRATE - 1588#/SET, FRAME - 300#

CAD DWG. REF: 8784 100.DWG- 2

DR. E. REMME	SCALE 1"=1'-0"	TITLE: R-8784
CH.	DIM CHK.	TREE GRATE AND FRAME w/SUPPORTS
APP.		NEENAH FOUNDRY COMPANY
DATE 05-23-2008		NEENAH WISCONSIN 54956
		NF-8784 100 B

04-24-2013	UPDATED WEIGHTS	RKB
DATE	REVISION	INT