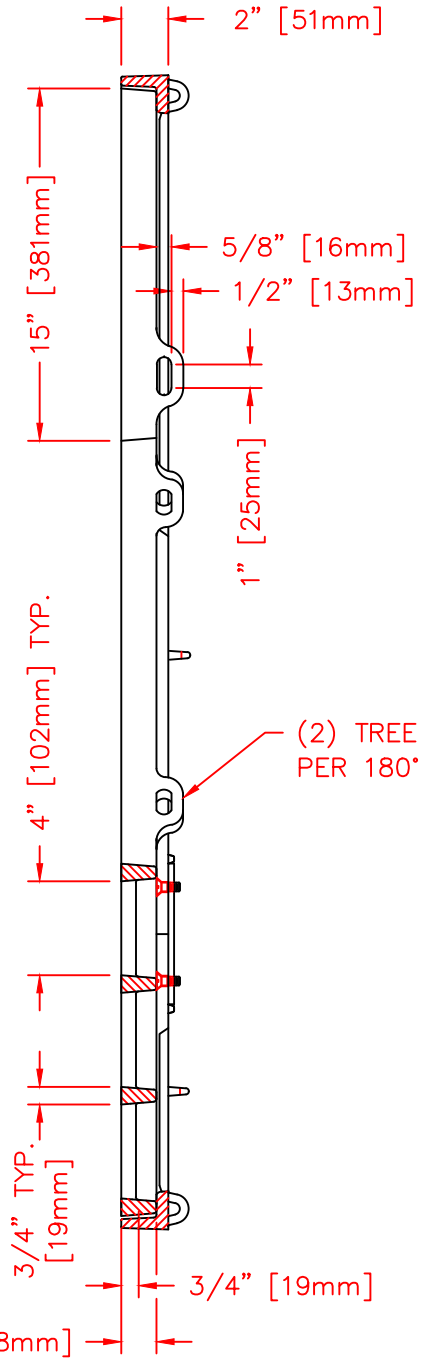
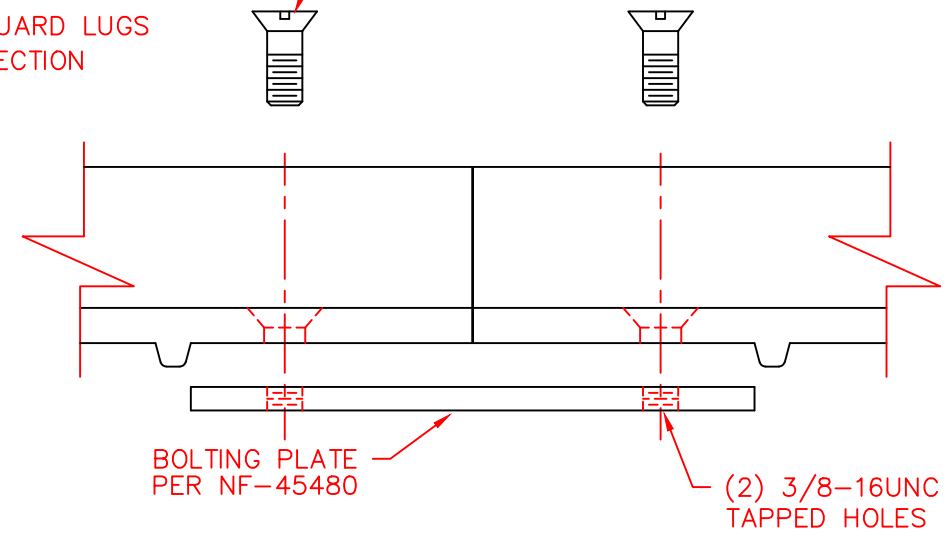


TREE GRATE HALVES BOLTED TOGETHER  
w/ (2) 1/2-13 X 3 STNLS. STL.  
HEX. BOLT AND HEX. NUT w/ WASHERS



(2) TREE GUARD LUGS  
PER 180° SECTION

FRAMES ARE ASSEMBLED USING  
A 6" x 1 1/4" x 1/4" THICK  
[152mm x 32mm x 6mm]  
STEEL PLATE BOLTED TO FRAME  
w/ (2) 3/8-16UNC X 1 STNLS  
STL. FLAT HD. CAP SCREWS



ASSEMBLY DETAIL  
SCALE 1:2

NOTE: FRAME CROSS BAR REQUIRES REMOVAL AFTER INSTALLATION.  
ALL DIMENSIONS SHOWN ARE IN ENGLISH AND [METRIC].

COMPONENT NO'S: (4) 4'-0" FRAME 8500-4848; (2) TREE GRATE 8742-0001  
MATERIAL: CAST GRAY IRON ASTM A-48, CLASS 35B  
FINISH: NOT PAINTED  
WEIGHT: 342#/SET

Supplied By:  
**TRENCH DRAIN SUPPLY**  
877-903-7246  
www.trenchdrainsupply.com

DATE	REVISION	INT
12-12-96	UPDATE FRAME DIMS.	CSK

DR. M. LAWTON	SCALE 1/8"=1"	TITLE: R-8742
CH.		4'-0" SQUARE TREE GRATE & FRAME
APP.	DIM CHK.	NEENAH FOUNDRY COMPANY
DATE 4-22-94		NEENAH WISCONSIN 54956
		<b>NEF</b> NF-8742 106 B