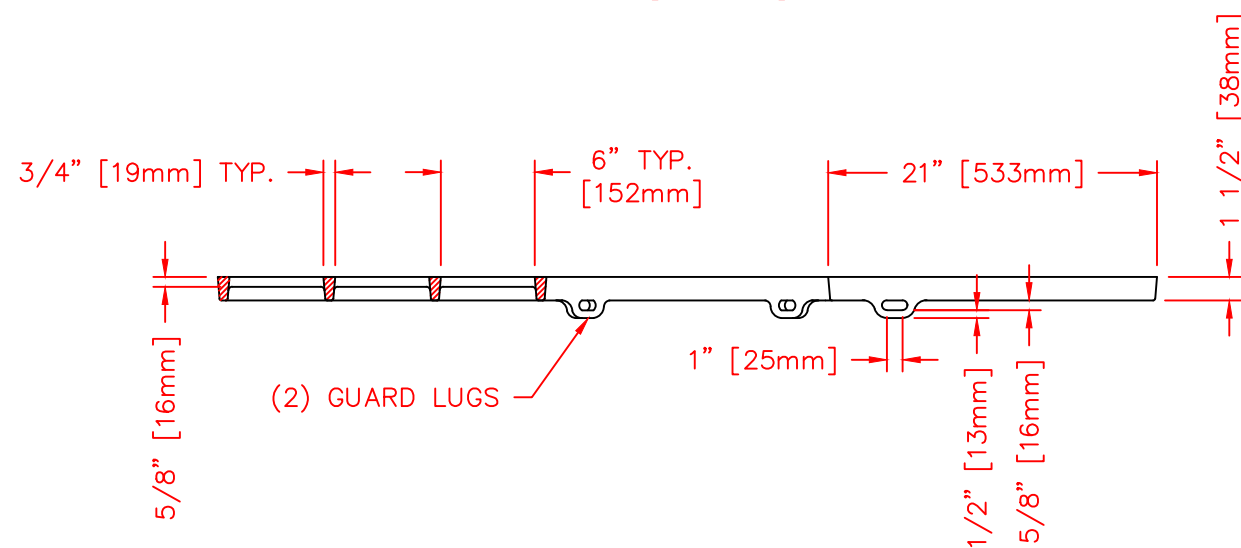


TREE GRATE HALVES BOLTED TOGETHER
w/ (2) 1/2-13 X 3 STNLS. STL.
HEX. BOLT AND HEX. NUT w/ WASHERS



Supplied By:
**TRENCHDRAIN
 SUPPLY**
 877-903-7246
 www.trenchdrainsupply.com

NOTE: ALL DIMENSIONS ARE SHOWN IN ENGLISH AND [METRIC].
 COMPONENT NO'S: (2) TREE GRATE 8742-0002
 MATERIAL: CAST GRAY IRON ASTM A-48, CLASS 35B
 FINISH: NOT PAINTED
 WEIGHT: 384#/SET

DR. <i>Peber</i>	SCALE	TITLE:	R-8742-A
CH.	1'=1'-0"	TREE GRATE	
APP.	DIM CHK.	NEENAH	NF-8742 200 B
DATE 3-12-86		FOUNDRY COMPANY NEENAH WISCONSIN 54956	

4-25-94	CHGD. GRATE TO A SET	MWL
DATE	REVISION	INT