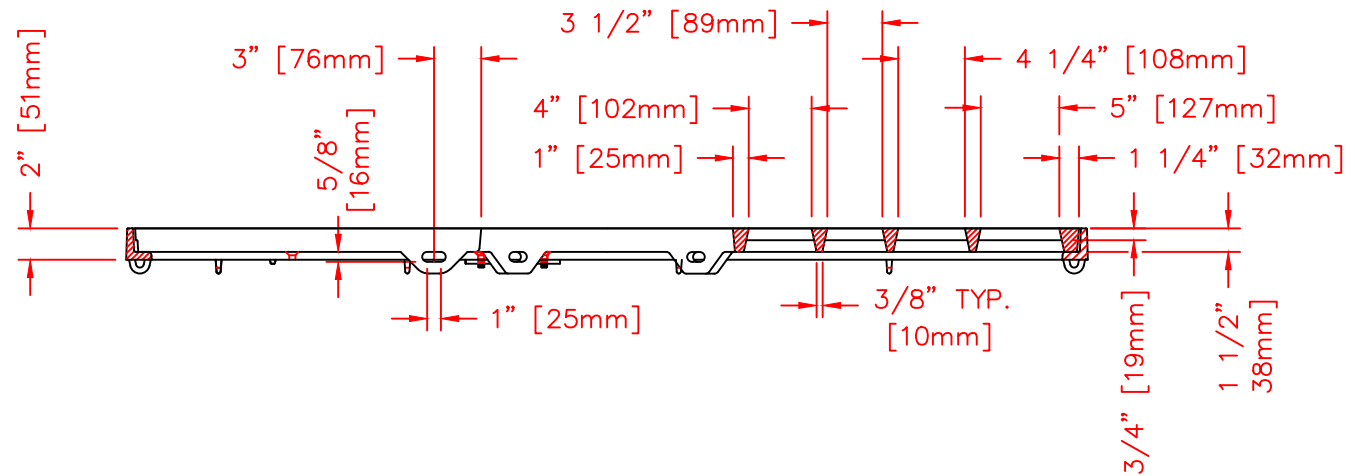


TREE GRATE HALVES BOLTED TOGETHER w/ (2) 1/2-13 X 3 STNLS. STL. HEX. BOLT AND HEX. NUT w/ WASHERS



FRAMES ARE TO BE SET IN CONCRETE WITH REBAR. SEE SUGGESTED FORMING INSTRUCTIONS.

NOTE: FRAME CROSS BAR REQUIRES REMOVAL AFTER INSTALLATION. ALL DIMENSIONS ARE SHOWN IN ENGLISH AND [METRIC].

COMPONENT NO'S: (4) 5'-0" FRAME 8500-6060; (2) GRATE 8738-0001; (2) LT. OPENING GRATE 8738-0002

MATERIAL: CAST GRAY IRON ASTM A-48, CLASS 35B
FINISH: NOT PAINTED
WEIGHT: 544#/SET

Supplied By:

TRENCHDRAIN SUPPLY

877-903-7246

www.trenchdrainsupply.com

DATE	REVISION	INT
12-21-2005	ADD FORMING INSTR. NOTE	CSM
7-30-1998	REVISED FRAME	KMH

DR. M. LAWTON	SCALE 1"=1'-0"	TITLE: R-8738-A1
CH.		5'-0" SQUARE TREE GRATE & FRAME
APP.	DIM CHK.	NEENAH FOUNDRY COMPANY NEENAH WISCONSIN 54956
DATE 7-18-94		NEENAH NF-8738 251 B