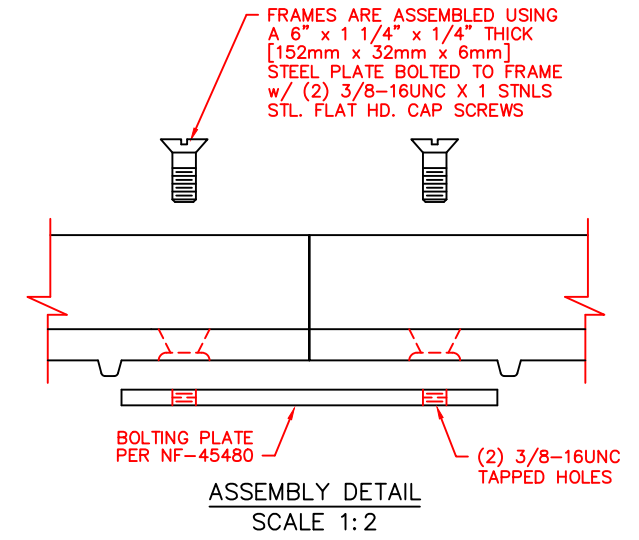


TREE GRATE HALVES BOLTED TOGETHER
w/ (2) 1/2-13 X 3" STNLS. STL.
HEX. BOLT AND HEX. NUT w/ WASHERS



Supplied By:
TRENCHDRAIN SUPPLY
 877-903-7246
 www.trenchdrainsupply.com

NOTE: FRAME CROSS BAR REQUIRES REMOVAL AFTER INSTALLATION.
 ALL DIMENSIONS ARE SHOWN IN ENGLISH AND [METRIC].
 COMPONENT NO'S: (4) 4'-0" FRAME 8500-4848; (2) TREE GRATE 8721-0002
 MATERIAL: CAST GRAY IRON ASTM A-48, CLASS 35B
 FINISH: NOT PAINTED
 WEIGHT: 406#/SET

08-04-98	REVISED FRAME	KMH
DATE	REVISION	INT

DR. M. LAWTON	SCALE 1"=1'-0"	TITLE: R-8721-A
CH.		4'-0" SQUARE TREE GRATE & FRAME
APP.	DIM CHK.	NEENAH FOUNDRY COMPANY
DATE 04/18/94		NEENAH WISCONSIN 54956
		NF-8721 136 B