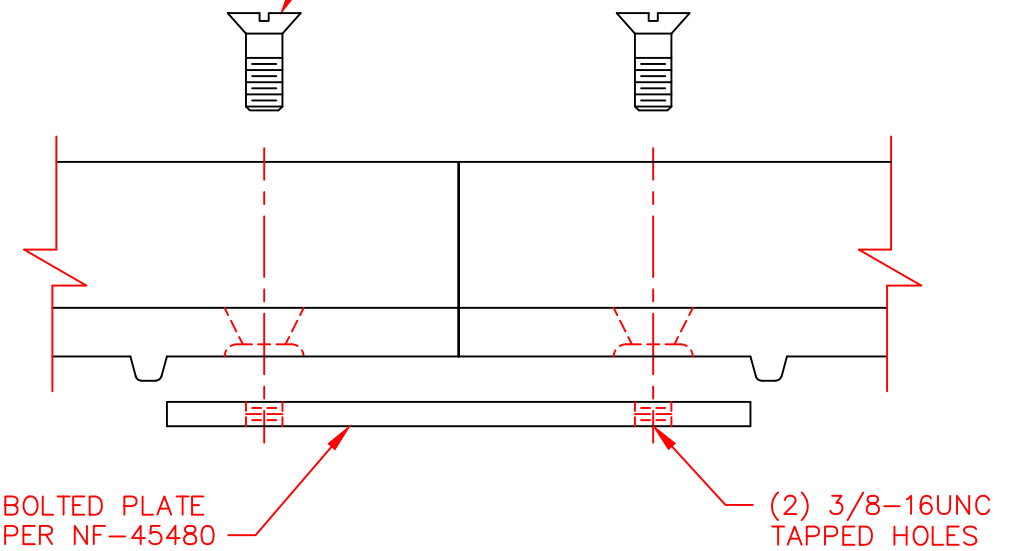


FRAMES ARE ASSEMBLED USING A
 6" X 1 1/4" X 1/4" THICK
 [152mm X 32mm X 6mm]
 STEEL PLATE BOLTED TO FRAME
 w/ (2) 3/8-16UNC X 1 STNLS
 STL. FLAT HD. CAP SCREWS

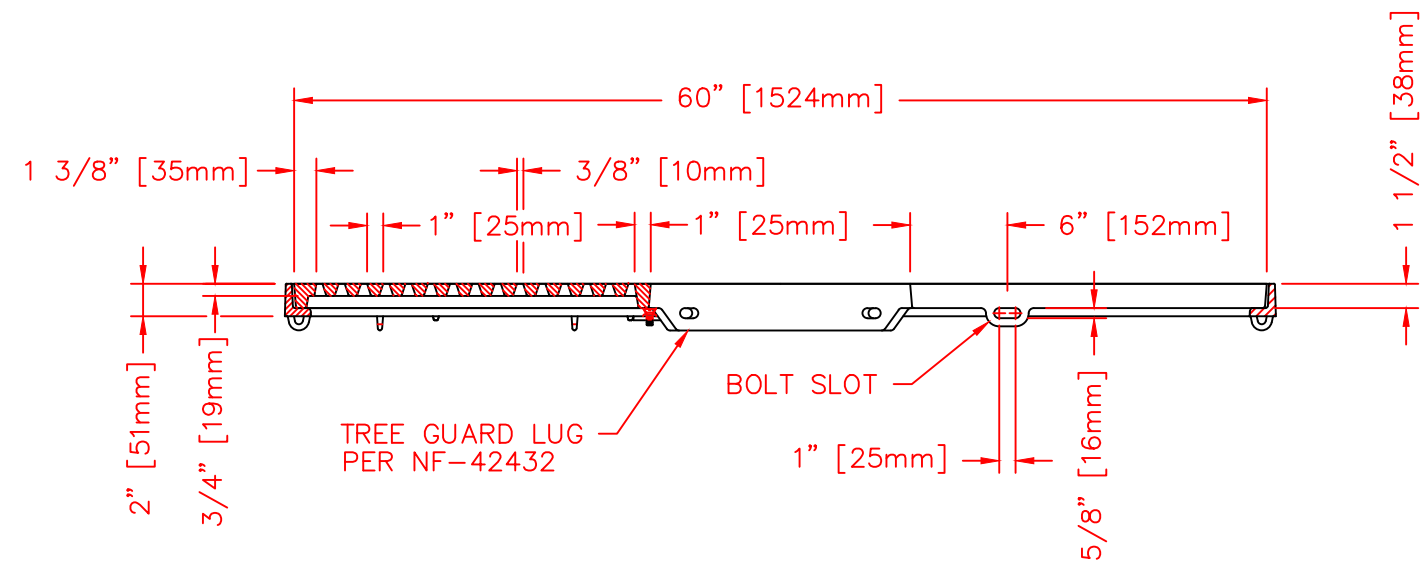


BOLTED PLATE
 PER NF-45480

(2) 3/8-16UNC
 TAPPED HOLES

ASSEMBLY DETAIL
 SCALE 1:2

TREE GRATE HALVES BOLTED TOGETHER
 w/ (2) 1/2-13 X 3" STNLS. STL.
 HEX. BOLT AND HEX. NUT w/ WASHERS



Supplied By:
**TRENCHDRAIN
 SUPPLY**
 877-903-7246
 www.trenchdrainsupply.com

NOTE: FRAME CROSS BAR REQUIRES REMOVAL AFTER INSTALLATION.
 ALL DIMENSIONS ARE SHOWN IN ENGLISH AND [METRIC].
 COMPONENT NO'S: (4) 5'-0" FRAME 8500-6060; (2) TREE GRATE 8712-0001
 MATERIAL: CAST GRAY IRON ASTM A-48, CLASS 35B
 FINISH: NOT PAINTED
 WEIGHT: 690#/SET

DR. M. LAWTON	SCALE 1"=1'-0"	TITLE: R-8712
CH.		5'-0" SQUARE TREE GRATE & FRAME
APP.	DIM CHK.	NEENAH FOUNDRY COMPANY
DATE 04/14/94		NEENAH WISCONSIN 54956
		INF NF-8712 101 B

DATE	REVISION	INT
8-09-2002	REMOVED CORNER RIBS ONLY	ELR
8-21-2000	ADDED MATERIAL AROUND TREE OPENING	LMA
7-27-98	UPDATED FRAME	KMH