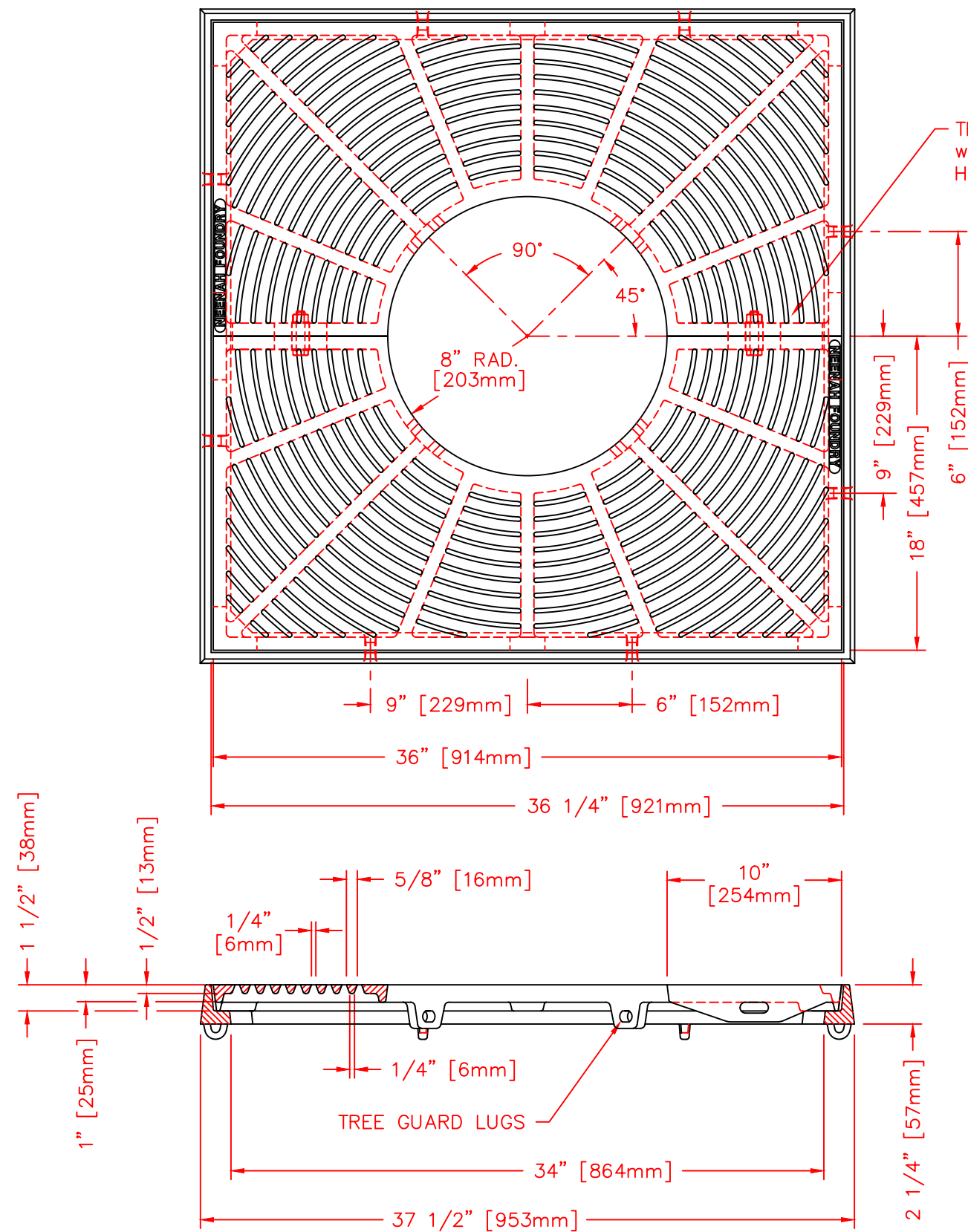


Supplied By:

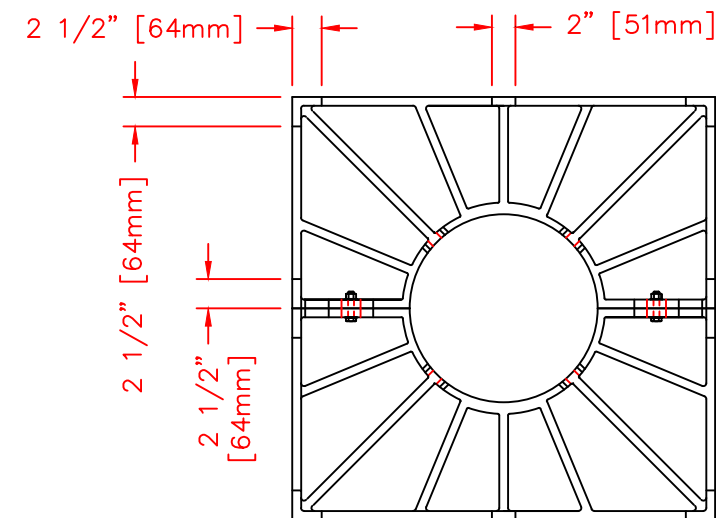
**TRENCHDRAIN  
SUPPLY**

877-903-7246

www.trenchdrainsupply.com



TREE GRATE HALVES BOLTED TOGETHER  
w/ (2) 1/2-13 X 3" STNLS. STL.  
HEX. BOLT AND HEX. NUT w/ WASHERS



UNDERSIDE VIEW  
SHOWING LEGS  
(SCALE 1:16)

NOTE: ALL DIMENSIONS ARE SHOWN IN ENGLISH AND [METRIC].

COMPONENT NO'S: ANGLE FRAME 8500-3636; (2) TREE GRATE 8704-0010

MATERIAL: CAST GRAY IRON ASTM A-48, CLASS 35B

FINISH: NOT PAINTED

WEIGHT: 191#/SET

DATE	REVISION	INT
10-12-99	REVISED PER CASTING CHECK	CSK
6-17-97	REVISED LUG LOCATIONS ON FRAME	CSK
3-17-95	CHECKED FRAME DIMS PER CASTING	ELR

DR.	M. LAWTON
CH.	
APP.	
DATE	04/15/94

SCALE	1/8"=1"
DIM CHK.	

TITLE:	R-8704-A TREE GRATE & TYPE "U" ANGLE FRAME
NEENAH FOUNDRY COMPANY NEENAH WISCONSIN 54956	<b>NEF</b> NF-8704 193 B