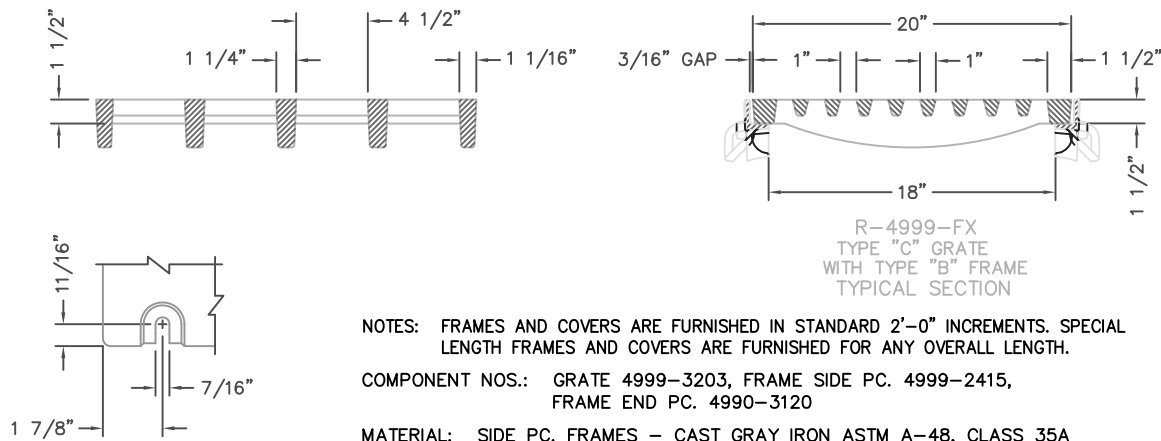


FRAME & GRATE
SHOWING DEBRIS CHUTE
SCALE 1:4



BOLT SLOT DETAIL
SCALE 1:4

R-4999-FX
TYPE "C" GRATE
WITH TYPE "B" FRAME
TYPICAL SECTION

NOTES: FRAMES AND COVERS ARE FURNISHED IN STANDARD 2'-0" INCREMENTS. SPECIAL LENGTH FRAMES AND COVERS ARE FURNISHED FOR ANY OVERALL LENGTH.

COMPONENT NOS.: GRATE 4999-3203, FRAME SIDE PC. 4999-2415, FRAME END PC. 4990-3120

MATERIAL: SIDE PC. FRAMES - CAST GRAY IRON ASTM A-48, CLASS 35A
END PC. FRAMES AND GRATES - CAST GRAY IRON ASTM A-48, CLASS 35B

FINISH: NO PAINT

DR. K. HOGE	SCALE 1/8"=1"	TITLE: R-4999-FX TYPE "C" GRATE W/ TYPE "B" FRAME
CH.		
APP.	DIM CHK.	NEENAH FOUNDRY COMPANY NEENAH WISCONSIN 54956
DATE 12-5-08		NF-4999FX C B