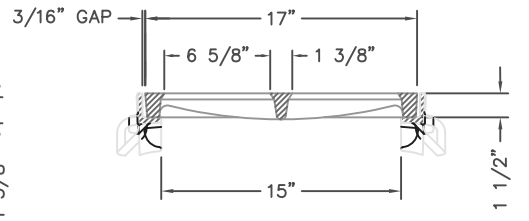
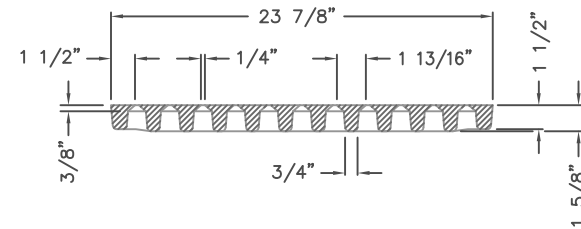
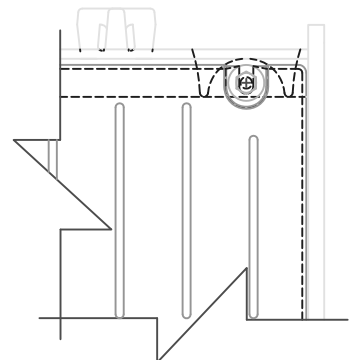
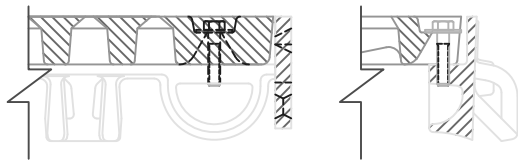


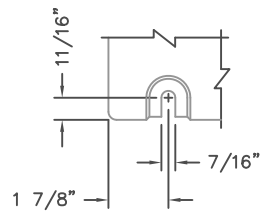
GRATE BOLTED TO FRAME w/
3/8-16UNC X 2 STNLS. STL.
HEX HEAD BOLT w/WASHER
(4 PER GRATE, KIT #91350)



R-4999-EX
TYPE "P" GRATE
WITH TYPE "B" FRAME
TYPICAL SECTION



FRAME & GRATE
SHOWING DEBRIS CHUTE



BOLT SLOT DETAIL
SCALE 1:4

NOTES: FRAMES AND COVERS ARE FURNISHED IN STANDARD 2'-0" INCREMENTS. SPECIAL LENGTH FRAMES AND COVERS ARE FURNISHED FOR ANY OVERALL LENGTH.
COMPONENT NOS.: SIDE PC. FRAME 4999-2415, END PC. FRAME 4990-3117, GRATE 4999-3179
MATERIAL: SIDE PC. FRAMES - CAST GRAY IRON ASTM A-48, CLASS 35A
END PC. FRAMES AND GRATES - CAST GRAY IRON ASTM A-48, CLASS 35B
FINISH: NOT PAINTED

DR. K. HOGE	SCALE 1/8"=1"	TITLE: R-4999-EX TYPE "P" GRATE W/ TYPE "B" FRAME	
CH.		DIM CHK. NEENAH FOUNDRY COMPANY NEENAH WISCONSIN 54956	NF-4999EX P B
APP.			
DATE 12-11-08			