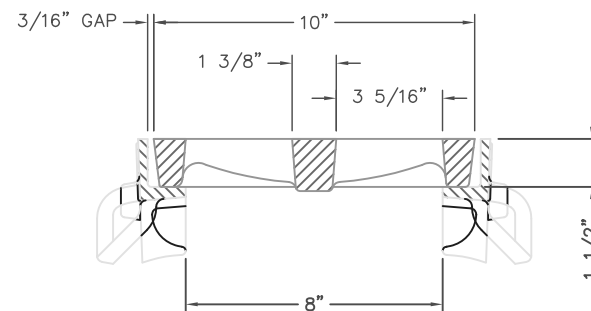
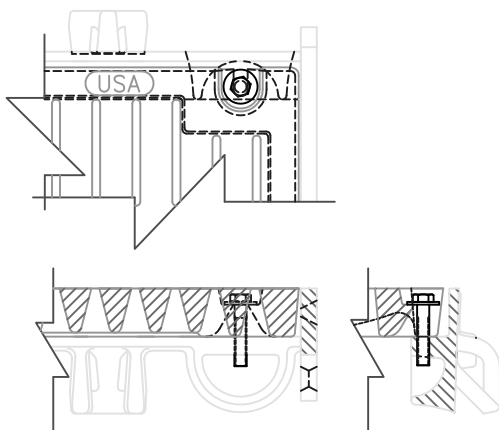


FULL SECTION



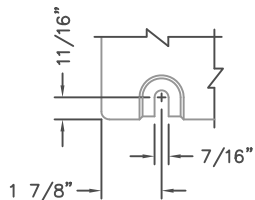
R-4999-BX TYPICAL SECTION
TYPE "P" GRATE w/ TYPE "B" FRAME

SCALE 1:4



FRAME & GRATE
SHOWING DEBRIS CHUTE

SCALE 1:4



BOLT SLOT DETAIL

SCALE 1:4

NOTES: FRAMES AND COVERS ARE FURNISHED IN STANDARD 2'-0" INCREMENTS. SPECIAL LENGTH FRAMES AND COVERS ARE FURNISHED FOR ANY OVERALL LENGTH.

COMPONENT NOS.: SIDE PC. FRAME 4999-2415; END PC. FRAME 4990-3110; GRATE 4999-3109

MATERIAL: SIDE PC. FRAMES - CAST GRAY IRON ASTM A-48, CLASS 35A
END PC. FRAMES AND GRATES - CAST GRAY IRON ASTM A-48, CLASS 35B

FINISH: NO PAINT

DR.	RKB	SCALE	TITLE:	R-4999-BX BOLTED STYLE TRENCH TYPE "P" GRATE w/ TYPE "B" FRAME NEENAH FOUNDRY COMPANY NEENAH WISCONSIN 54956
CH.		1/8"=1"		
APP.		DIM CHK.		
DATE	03-14-2012			
				NF- 4999BXP B