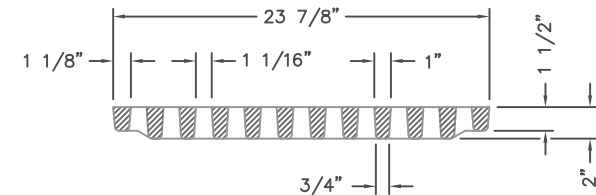
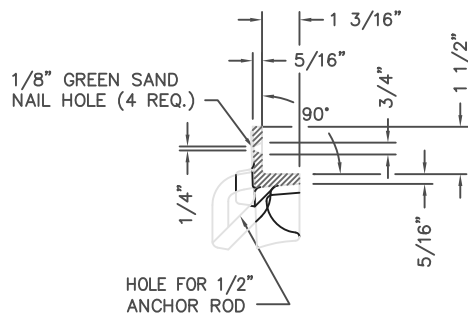


R-4990-FX
TYPE "A" GRATE w/ TYPE "B" FRAME
TYPICAL SECTION



TYPICAL GRATE SECTION



TYPICAL FRAME SECTION
(SCALE: 1/4"=1")

NOTE: FRAMES ARE FURNISHED IN STANDARD 2'-0" INCREMENTS. GRATES ARE FURNISHED IN STANDARD 2'-0" INCREMENTS. SPECIAL LENGTH GRATES CAN BE FURNISHED FOR ANY OVERALL LENGTH. EACH GRATE HAS A FREE OPEN AREA OF 1.2 SQUARE FEET. COMPONENT NOS.: SIDE PC. FRAME 4999-2415, END PC. FRAME 4990-3120, GRATE 4990-3201 MATERIAL: CAST GRAY IRON ASTM A-48, CLASS 35B FINISH: NO PAINT, UNLESS SPECIFIED ON PURCHASE ORDER.

Supplied By:

TRENCH DRAIN SUPPLY
877-903-7246
www.trenchdrainsupply.com

DR.	CAG	SCALE	TITLE:
CH.	RKB	1/8"=1"	R-4990-FX TRENCH TYPE "B" FRAME WITH TYPE "A" GRATE
APP.	SPT	NEENAH FOUNDRY	
DATE	03-25-2014	NEENAH WISCONSIN 54956 PHONE 800-558-5075	
www.neenahfoundry.com		LINCOLN, NEBRASKA 68529 PHONE 800-234-7466	
			NF-4990FX A B