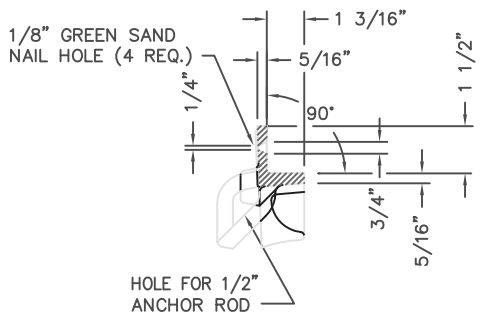


R-4990-EX
TYPE "D" LID
WITH TYPE "B" FRAME
TYPICAL SECTION
(SCALE: 1/4"=1")

TYPICAL LID SECTION



TYPICAL FRAME SECTION
(SCALE: 1/4"=1")

NOTE: FRAMES ARE FURNISHED IN STANDARD 2'-0" INCREMENTS. GRATES ARE FURNISHED IN STANDARD 2'-0" INCREMENTS. SPECIAL LENGTH GRATES CAN BE FURNISHED FOR ANY OVERALL LENGTH.
COMPONENT NOS.: SIDE PC. FRAME 4999-2415, END PC. FRAME 4990-3117, LID 4990-3174
MATERIAL: CAST GRAY IRON ASTM A-48, CLASS 35B
FINISH: NO PAINT, UNLESS SPECIFIED ON PURCHASE ORDER.

Supplied By:



877-903-7246

www.trenchdrainsupply.com

| | | | |
|-----------------------|-----------|---|---|
| DR. | CAG | SCALE | TITLE: |
| CH. | RKB | 1/8"=1" | R-4990-EX TYPE "B" FRAME WITH TYPE "D" LID |
| APP. | SPT | NEENAH FOUNDRY | |
| DATE | 12/9/2013 | NEENAH WISCONSIN 54956 PHONE 800-558-5075 | |
| www.neenahfoundry.com | | LINCOLN, NEBRASKA 68529 PHONE 800-234-7466 | |

NF-4990EX D B