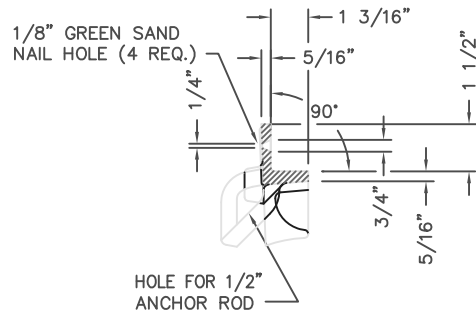


TYPICAL GRATE SECTION



TYPICAL FRAME SECTION
(SCALE: 1/4"=1")

R-4990-EX
TYPE "C" GRATE
WITH TYPE "B" FRAME
TYPICAL SECTION
(SCALE: 1/4"=1")

NOTE: FRAMES ARE FURNISHED IN STANDARD 2'-0" INCREMENTS. GRATES ARE FURNISHED IN STANDARD 2'-0" INCREMENTS. SPECIAL LENGTH GRATES CAN BE FURNISHED FOR ANY OVERALL LENGTH.
COMPONENT NOS.: SIDE PC. FRAME 4999-2415, END PC. FRAME 4990-3117, GRATE 4990-3173

MATERIAL: CAST GRAY IRON ASTM A-48, CLASS 35B
FINISH: NO PAINT, UNLESS SPECIFIED ON PURCHASE ORDER.

Supplied By:

**TRENCHDRAIN
SUPPLY**

877-903-7246

www.trenchdrainsupply.com

DR.	CAG	SCALE	TITLE:
CH.	RKB	1/8"=1"	R-4990-EX TYPE "B" FRAME WITH TYPE "C" GRATE
APP.	SPT	NEENAH FOUNDRY	
DATE	12/9/2013	NEENAH WISCONSIN 54956 PHONE 800-558-5075	
www.neenahfoundry.com		LINCOLN, NEBRASKA 68529 PHONE 800-234-7466	
			NF-4990EX C B