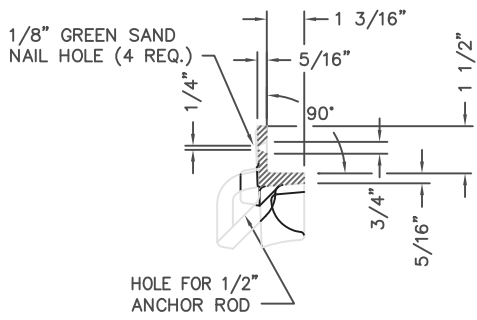


R-4990-EX  
TYPE "A" GRATE  
WITH TYPE "B" FRAME  
TYPICAL SECTION  
(SCALE: 1/4"=1")

NOTE: FRAMES ARE FURNISHED IN STANDARD 2'-0" INCREMENTS. GRATES ARE FURNISHED IN STANDARD 2'-0" INCREMENTS. SPECIAL LENGTH GRATES CAN BE FURNISHED FOR ANY OVERALL LENGTH.  
COMPONENT NOS.: SIDE PC. FRAME 4999-2415, END PC. FRAME 4990-3117, GRATE 4990-3171  
MATERIAL: CAST GRAY IRON ASTM A-48, CLASS 35B  
FINISH: NO PAINT, UNLESS SPECIFIED ON PURCHASE ORDER.



TYPICAL FRAME SECTION  
(SCALE: 1/4"=1")

Supplied By:  
**TRENCH DRAIN SUPPLY**  
877-903-7246  
www.trenchdrainsupply.com

DR. CAG	SCALE 1/8"=1"	TITLE: R-4990-EX TYPE "B" FRAME WITH TYPE "A" GRATE
CH. RKB		
APP. SPT	<b>NEENAH FOUNDRY</b>	
DATE 12/9/2013	NEENAH WISCONSIN 54956 PHONE 800-558-5075	
www.neenahfoundry.com	LINCOLN, NEBRASKA 68529 PHONE 800-234-7466	
		NF-4990EX A B