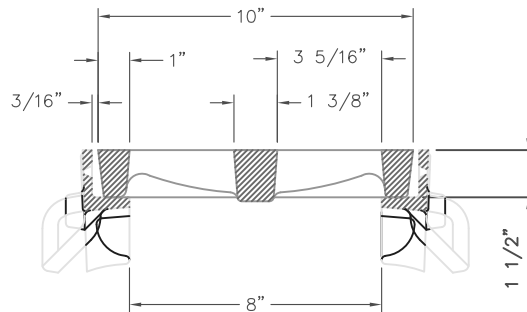
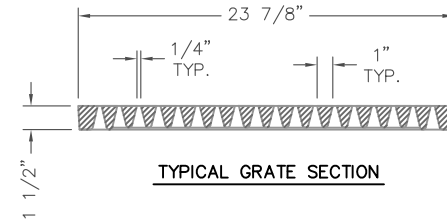


TYPICAL FRAME SECTION
(SCALE: 1/4"=1")



R-4999-BX TYPICAL SECTION
TYPE "P" GRATE w/ TYPE "B" FRAME
(SCALE: 1/4"=1")



TYPICAL GRATE SECTION

NOTE: FRAMES ARE FURNISHED IN STANDARD 2'-0" INCREMENTS. GRATES ARE FURNISHED IN STANDARD 2'-0" INCREMENTS. SPECIAL LENGTH GRATES CAN BE FURNISHED FOR ANY OVERALL LENGTH.
COMPONENT NOS.: SIDE PC. FRAME 4999-2415, END PC. FRAME 4990-3110, GRATE 4990-3109

MATERIAL: CAST GRAY IRON ASTM A-48, CLASS 35B
FINISH: NO PAINT, UNLESS SPECIFIED ON PURCHASE ORDER.

Supplied By:

**TRENCHDRAIN
SUPPLY**
877-903-7246
www.trenchdrainsupply.com

DR. CAG	SCALE 1/8"=1"	TITLE: R-4990-BX TRENCH TYPE "P" GRATE w/ TYPE "B" FRAME
CH. ELN		
APP. SPT	NEENAH FOUNDRY NEENAH WISCONSIN 54956 PHONE 800-558-5075 LINCOLN, NEBRASKA 68529 PHONE 800-234-7466	
DATE 09-24-2013		
www.neenahfoundry.com		NF-4990BX P B