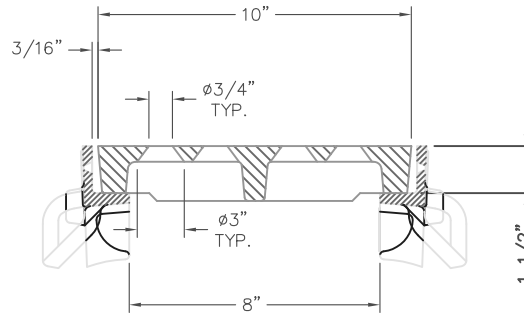
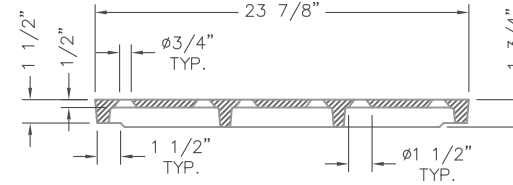


TYPICAL FRAME SECTION
(SCALE: 1/4"=1")



R-4999-BX TYPICAL SECTION
TYPE "E" LID w/ TYPE "B" FRAME
(SCALE: 1/4"=1")



TYPICAL GRATE SECTION

NOTE: FRAMES ARE FURNISHED IN STANDARD 2'-0" INCREMENTS. GRATES ARE FURNISHED IN STANDARD 2'-0" INCREMENTS. SPECIAL LENGTH GRATES CAN BE FURNISHED FOR ANY OVERALL LENGTH.

COMPONENT NOS.: SIDE PC. FRAME 4999-2415, END PC. FRAME 4990-3110, VENTED LID 4990-3105

MATERIAL: CAST GRAY IRON ASTM A-48, CLASS 35B

FINISH: NO PAINT, UNLESS SPECIFIED ON PURCHASE ORDER.

Supplied By:

TRENCH DRAIN SUPPLY
877-903-7246
www.trenchdrainsupply.com

DR.	CAG	SCALE	TITLE:
CH.	ELN	1/8"=1"	R-4990-BX TRENCH TYPE "E" VENTED LID w/ TYPE "B" FRAME
APP.	SPT	NEENAH FOUNDRY	
DATE	09-24-2013	NEENAH WISCONSIN 54956 PHONE 800-558-5075	
www.neenahfoundry.com		LINCOLN, NEBRASKA 68529 PHONE 800-234-7466	

NF-4990BX E B