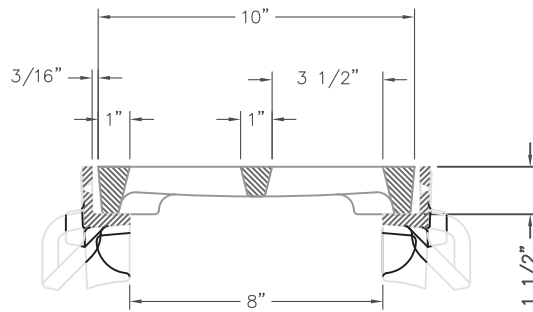
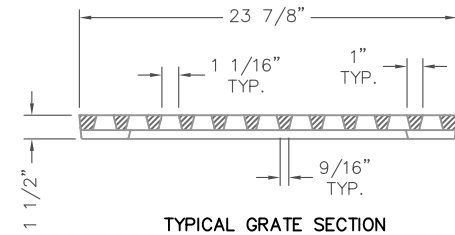


TYPICAL FRAME SECTION
(SCALE: 1/4"=1")



R-4999-BX TYPICAL SECTION
TYPE "A" GRATE w/ TYPE "B" FRAME
(SCALE: 1/4"=1")



TYPICAL GRATE SECTION

NOTE: FRAMES ARE FURNISHED IN STANDARD 2'-0" INCREMENTS. GRATES ARE FURNISHED IN STANDARD 2'-0" INCREMENTS. SPECIAL LENGTH GRATES CAN BE FURNISHED FOR ANY OVERALL LENGTH.
 COMPONENT NOS.: SIDE PC. FRAME 4999-2415, END PC. FRAME 4990-3110, GRATE 4990-3101
 MATERIAL: CAST GRAY IRON ASTM A-48, CLASS 35B
 FINISH: NO PAINT, UNLESS SPECIFIED ON PURCHASE ORDER.

Supplied By:

TRENCHDRAIN SUPPLY
 877-903-7246
 www.trenchdrainsupply.com

DR.	CAG	SCALE	TITLE:	R-4990-BX TRENCH TYPE "A" GRATE w/ TYPE "B" FRAME
CH.	ELN	1/8"=1"		
APP.	SPT	NEENAH FOUNDRY		NF-4990BX A B
DATE	09-24-2013	NEENAH WISCONSIN 54956 PHONE 800-558-5075		
www.trenchdrainsupply.com		LINCOLN, NEBRASKA 68529 PHONE 800-234-7466		