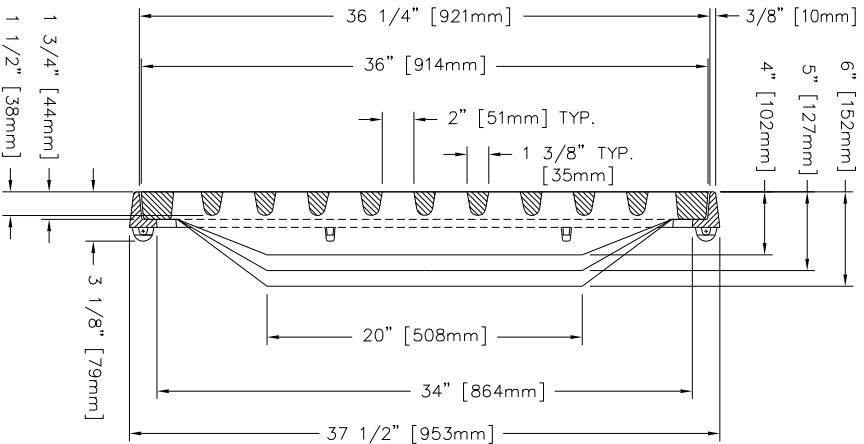
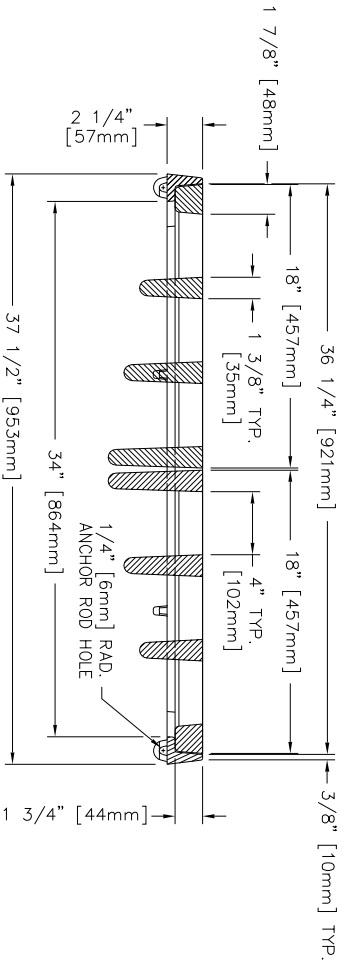
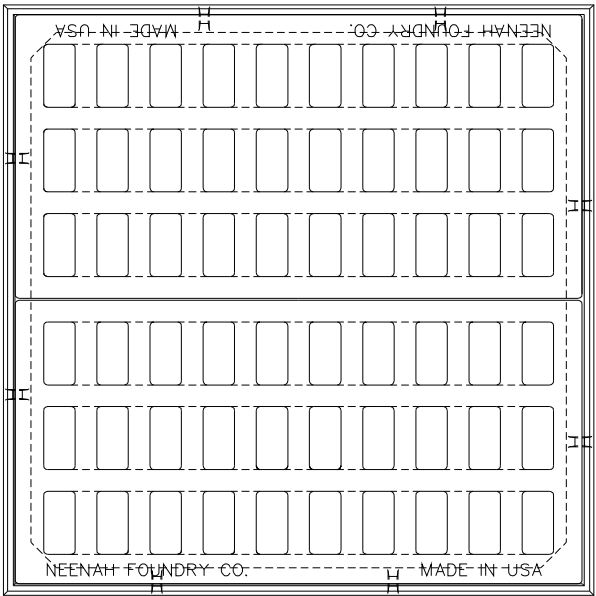


4884 695-2 B8



NOTE: ALL DIMENSIONS SHOWN ARE IN ENGLISH AND [METRIC].
MEETS HS-20 LOADING REQUIREMENTS.

COMPONENT NO'S: FRAME 4884-7002; GRATE (2) PCS. 3437-0001
MATERIAL: CAST GRAY IRON ASTM A-48, CLASS 35B
FINISH: NO PAINT
WEIGHT: FRAME 65#; GRATE 224# EA.

Supplied By
TRENCHDRAIN SUPPLY
877-903-7246
www.trenchdrainupply.com

CAD DWG. REF: 4884 695.DWG-2

DATE	REVISION	CWG INT
06-09-2018	CORRECTED GRATE WEIGHT	

DR.	SCALE	TITLE:
CSK	1/8" = 1"	ANGLE FRAME w/ 8 ANCHOR LUGS

CH.	APP.	DATE
		12-03-96

NEENAH FOUNDRY COMPANY NEENAH WISCONSIN 54956		NF-4884 695
R-4884-A		