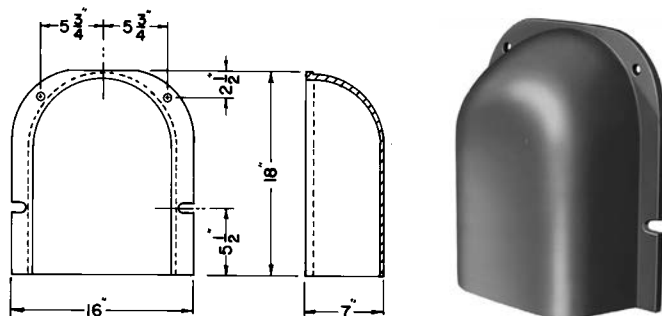


R-3700 to R-3708 Catch Basin Traps

Cast iron catch basin traps are used extensively on sewer catch basins or manholes to prevent clogging on sanitary systems. They provide a waterseal against escaping gases. Traps with drop type catch basins provide effective means of keeping pipe lines entirely clean. The drop portion of inlet retains all solid material, and the trap prevents all floating debris from entering outlet pipe.

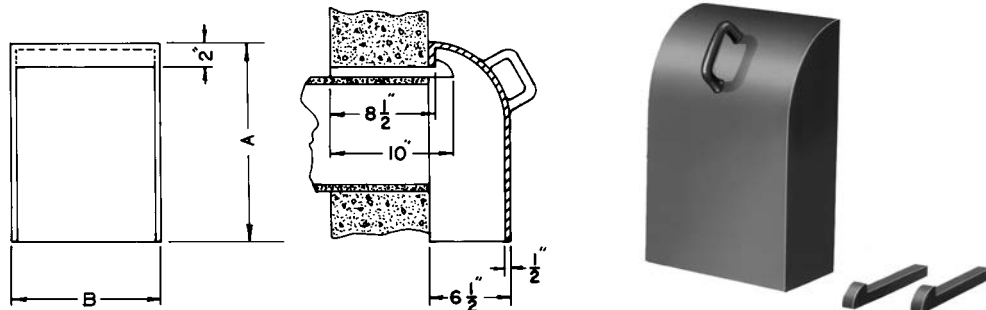
ROLL & GUTTER INLETS
5

**R-3700
Catch Basin Trap**



Pipe size to 12".
Setting method — 4 anchor bolts.
Install on flat wall only.

**R-3701 Series
Catch Basin Trap**



Cast iron handle.
Locate bottom of trap minimum 6" below flow line.
Install on flat wall only.

Dimensions in inches

Catalog No.	A	B	Pipe Size	Setting Method
R-3701-6	16	12	to 6	on 2 hooks
R-3701-8	18	12	8	on 2 hooks
R-3701-10	20	12	10	on 2 hooks
R-3701-12	22	16	12	on 2 hooks
R-3701-15	25	19	15	on 2 hooks
R-3701-18	28	22	18	on 2 hooks