

Location: \_\_\_\_\_



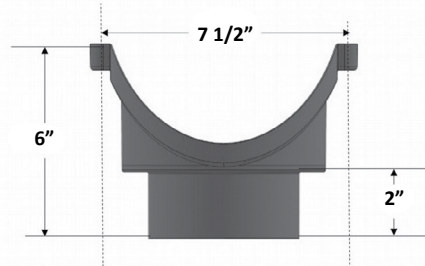
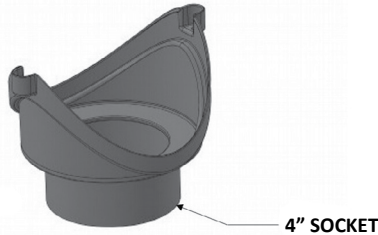
# T2000-PBO

**4", 6" or 8" SOCKET CONNECTION BOTTOM  
OUTLET FOR ALL T2000 GRP CHANNELS**

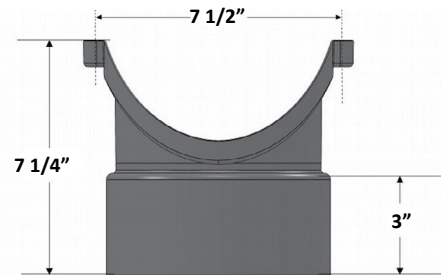
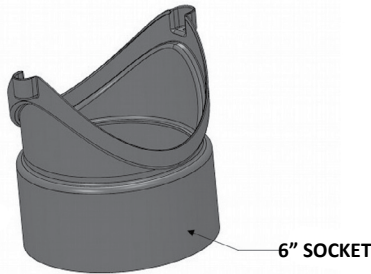
Specification: MIFAB® T2000-PBO (specify 4", 6" or 8") socket connection bottom outlet to secure to the dedicated location on the underside of every T2000 channel.

Function: Used to provide a 4", 6" or 8" socket connection bottom outlet at the dedicated location for MIFAB's various T2000 GRP channels.

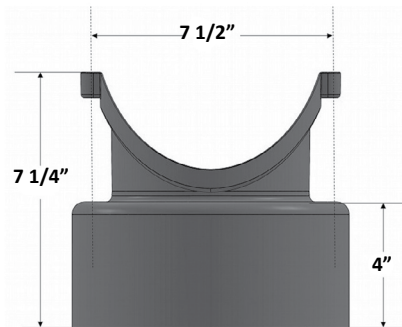
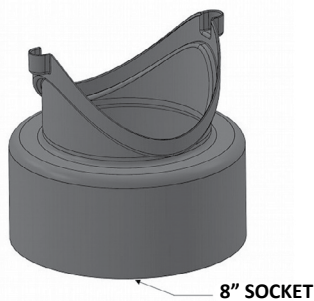
### T2000-PBO4



### T2000-PBO6



### T2000-PBO8



### T2000-PBO

<b>T2000-PBO4</b>	<b>4" socket connection bottom outlet</b>
<b>T2000-PBO6</b>	<b>6" socket connection bottom outlet</b>
<b>T2000-PBO8</b>	<b>8" socket connection bottom outlet</b>

CALIFORNIA PROPOSITION 65 WARNING. This product contains chemicals known to the State of California to cause cancer and birth defects or other reproductive harm.

Job Name: \_\_\_\_\_ Page No: \_\_\_\_\_  
 Section No: \_\_\_\_\_ Contractor: \_\_\_\_\_  
 Schedule No: \_\_\_\_\_ Purchase Order No: \_\_\_\_\_

MIFAB reserves the right to make changes in material and design without formal notice and obligation.

USA: 1-800-465-2736 [www.mifab.com](http://www.mifab.com) CAN: 1-800-387-3880