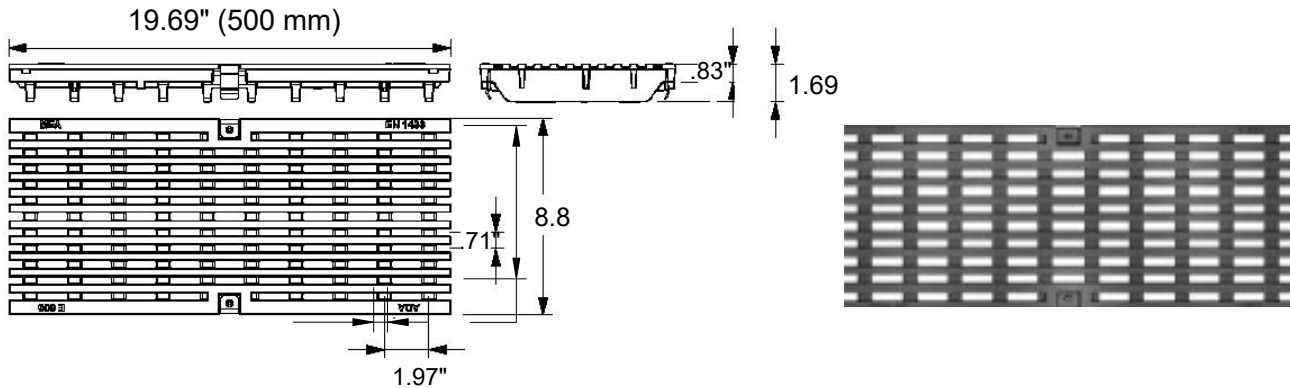


Location:



## Ductile Iron Longitudinal Slotted Grate to suit 8" clear opening channels

**Specification:** T200-PGE-4-ADA ductile iron longitudinal slotted grates are independently certified to meet Load Class E tested in accordance with EN 1433 134,800 lbs. 600kN. The grate length is 19.69" (.50 m). The grates utilize the patented "Clipfix" grate locking mechanism. The system (channel and grate) provides longitudinal shift protection.



### CLIPFIX ADVANTAGE

The MEA polymer concrete and GRP channels are designed for our universal CLIPFIX grate locking mechanism. The system (channel and grate) provides longitudinal shift protection.

### LOAD CLASS E



EN 1433 -  
134,800 LBS.,  
600kN, 2,785 PSI

### Compliance



ADA



HEELPROOF

Supplied By:  
**TRENCHDRAIN  
SUPPLY**  
877-903-7246  
www.trenchdrainsupply.com

GRATE MODEL NUMBER	LENGTH
T200-PGE-4-ADA	19.69" (500 mm)

Job Name: _____	Page No: _____
Section No: _____	Contractor: _____
Schedule No: _____	Purchase Order No: _____

**Revision Date: 2023-02-07**

CALIFORNIA PROPOSITION 65 WARNING. This product contains chemicals known to the State of California to cause cancer and birth defects or other reproductive harm.