

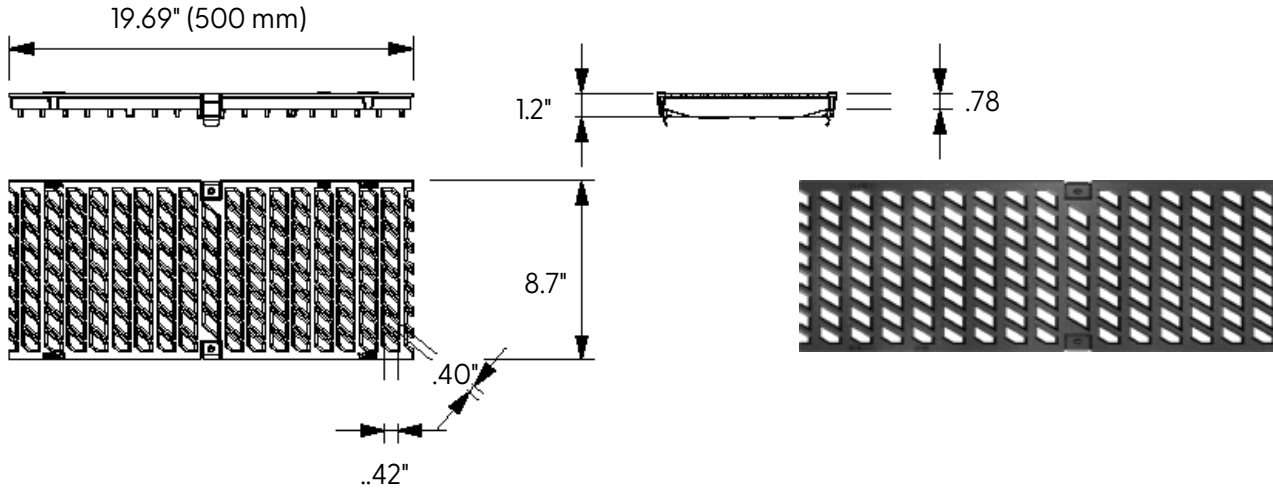
Location:



Ductile Iron Bavaria Grate to suit 8" clear opening channels



Specification: T200-PGC-4-BG ductile iron bavaria grates are independently certified to meet Load Class C tested in accordance with EN 1433 56,200 lbs. 250kN. The grate length is 19.69" (.5 m). The grates utilize the patented "Clipfix" grate locking mechanism. The system (channel and grate) provides longitudinal shift protection.



CLIPFIX ADVANTAGE

The MEA polymer concrete and GRP channels are designed for our universal CLIPFIX grate locking mechanism. The system (channel and grate) provides longitudinal shift protection.

LOAD CLASS C



EN 1433 - 56,200 LBS.,
250kN, 1160 PSI

GRATE MODEL NUMBER	LENGTH	USED WITH
T200-PGC-4-BG	19.69" (500 mm)	T1700 Concrete Channel
TP200-PGC-4-BG	19.69" (500 mm)	T2000 Plastic Channel or T1360 Aluminum Channel

Supplied By:

**TRENCH DRAIN
SUPPLY**
877-903-7246
www.trenchdrainsupply.com

Job Name: _____ Page No: _____
 Section No: _____ Contractor: _____
 Schedule No: _____ Purchase Order No: _____