

Location: _____

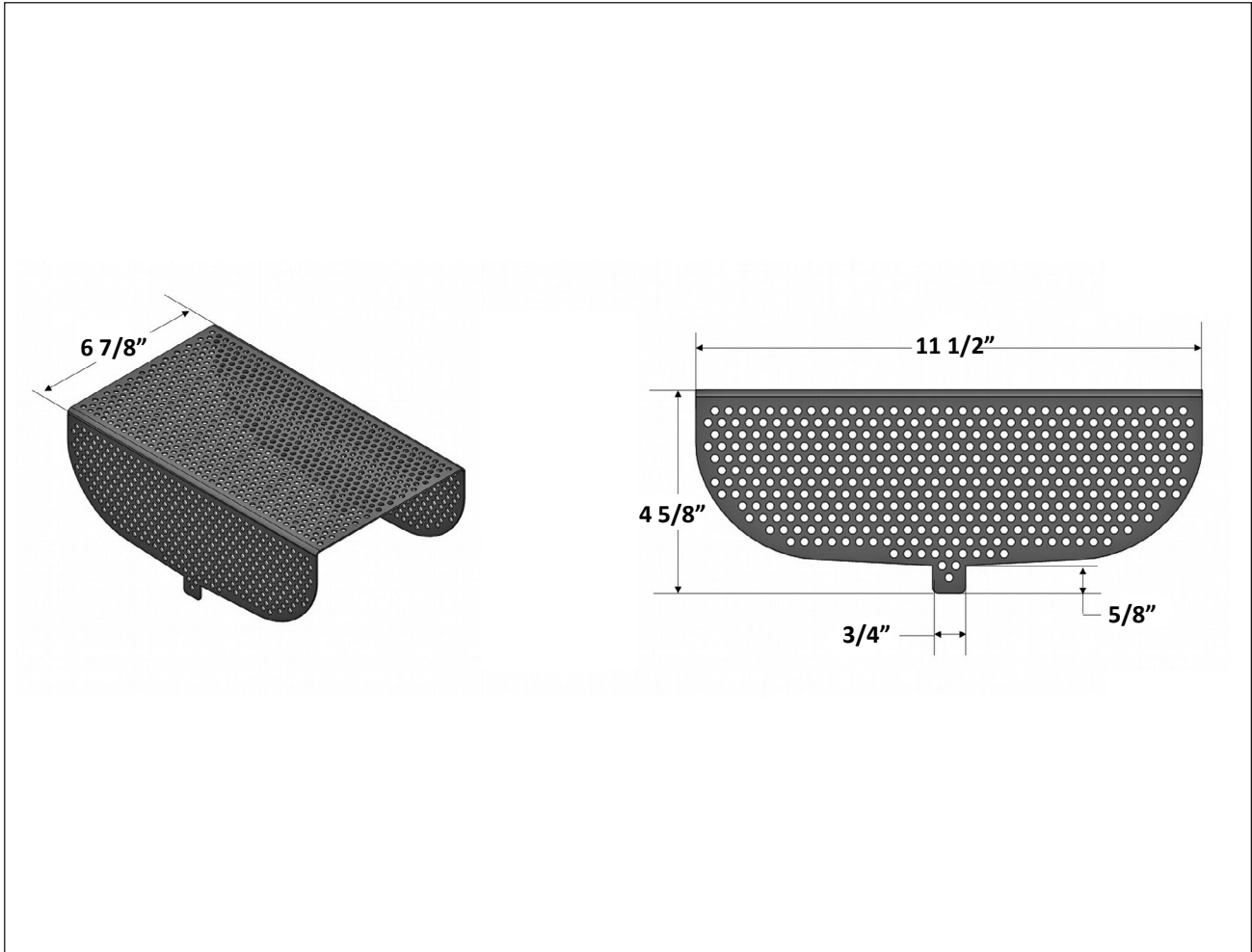


T1800-PBDS

**BOTTOM OUTLET STRAINER FOR ALL T1800
POLYMER CONCRETE CHANNELS**

Specification: MIFAB® T1800-PBDS bottom outlet strainer manufactured from powder coated 16 gauge galvanized steel.

Function: Used to provide a strainer above the bottom outlet for MIFAB’s various T1800 polymer concrete to prevent debris from entering and clogging the drain line.



Supplied By:
**TRENCHDRAIN
SUPPLY**
877-903-7246
www.trenchdrainsupply.com

CALIFORNIA PROPOSITION 65 WARNING. This product contains chemicals known to the State of California to cause cancer and birth defects or other reproductive harm.

Job Name: _____ Page No: _____
Section No: _____ Contractor: _____
Schedule No: _____ Purchase Order No: _____