

Location: \_\_\_\_\_

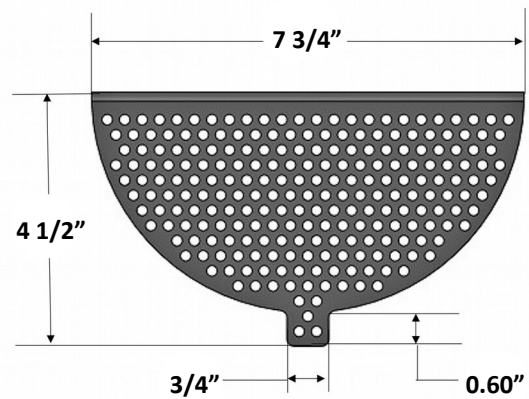
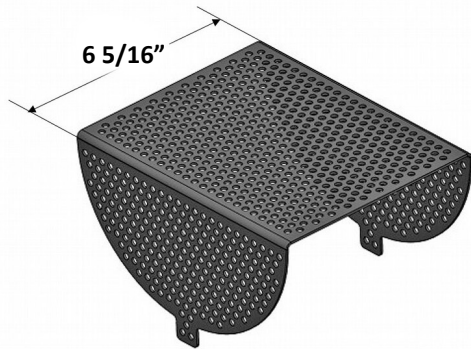


**T1700-PBDS**

**BOTTOM OUTLET STRAINER FOR ALL  
T1700 POLYMER CONCRETE CHANNELS**

**Specification:** MIFAB® T1700-PBDS bottom outlet strainer manufactured from powder coated 16 gauge galvanized steel.

**Function:** Used to provide a strainer above the bottom outlet for MIFAB's various T1700 polymer concrete to prevent debris from entering and clogging the drain line.



Supplied By:



877-903-7246

www.trenchdrainsupply.com

CALIFORNIA PROPOSITION 65 WARNING. This product contains chemicals known to the State of California to cause cancer and birth defects or other reproductive harm.

Job Name: \_\_\_\_\_ Page No: \_\_\_\_\_

Section No: \_\_\_\_\_ Contractor: \_\_\_\_\_

Schedule No: \_\_\_\_\_ Purchase Order No: \_\_\_\_\_

MIFAB reserves the right to make changes in material and design without formal notice and obligation. USA: 1-800-465-2736 www.mifab.com CAN: 1-800-387-3880

2023-04-21