

Location: _____

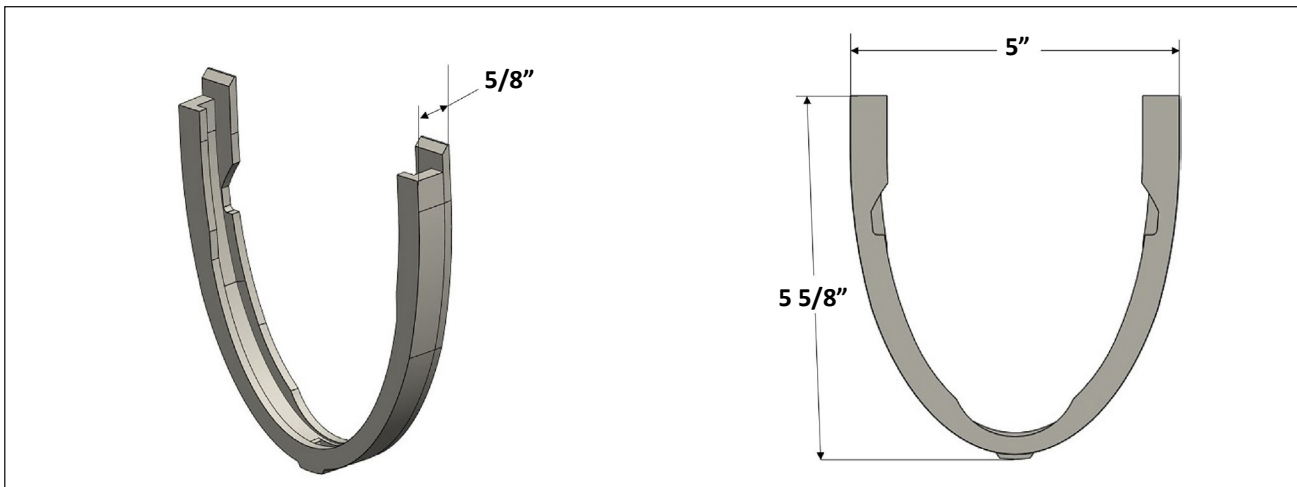
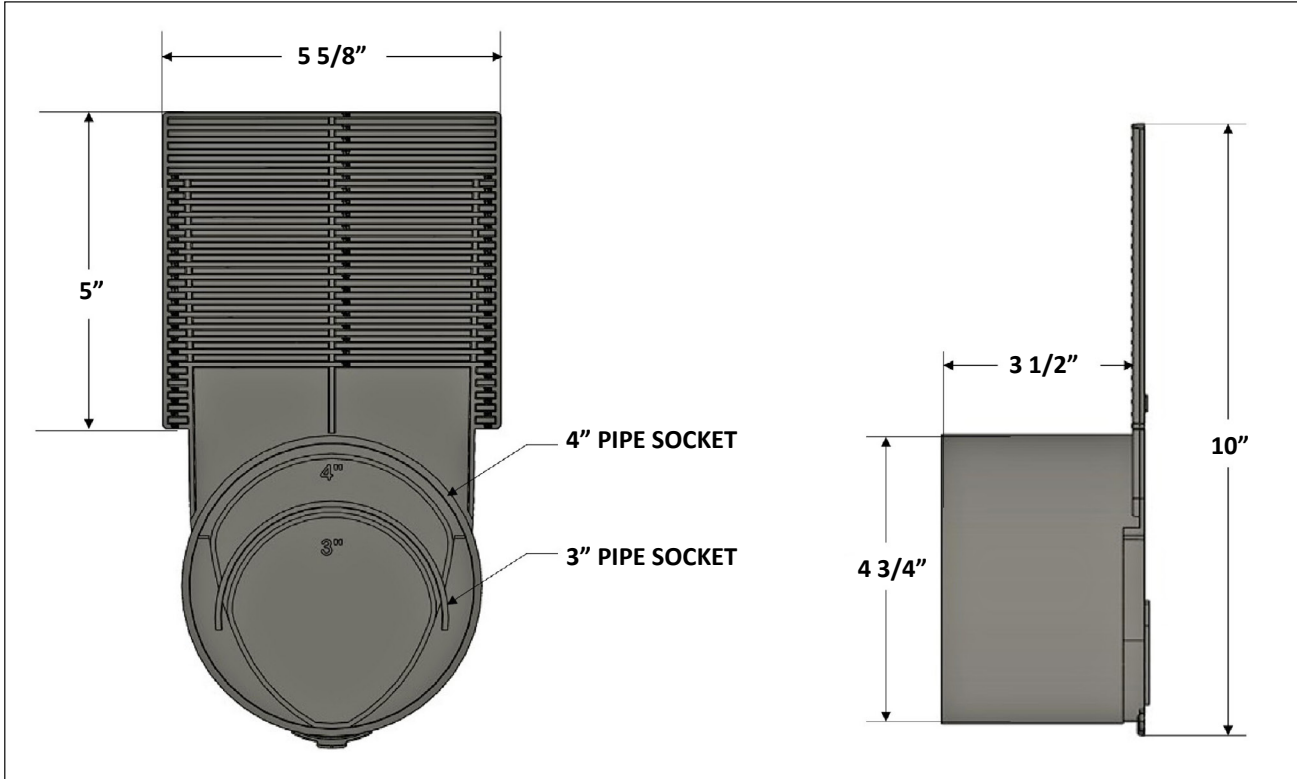


T1400-PEO

COMBINATION END OUTLET / END CAP FOR ALL T1400 GRP CHANNELS

Specification: MIFAB® T1400-PEO end outlet and end cap with combined 3" or 4" socket connection and joint connector to secure to end of channel. Manufactured from plastic material.

Function: Used to provide an end outlet connection or end cap for MIFAB's various T1400 GRP channels. The combined 3" and 4" socket connection in the one part provides flexibility for the installer. Guide marks across the top of the part indicate where it is to be cut to match the finished height of the selected T1400 channel.



CALIFORNIA PROPOSITION 65 WARNING. This product contains chemicals known to the State of California to cause cancer and birth defects or other reproductive harm.

Job Name: _____ Page No: _____

Section No: _____ Contractor: _____

Schedule No: _____ Purchase Order No: _____

MIFAB reserves the right to make changes in material and design without formal notice and obligation. USA: 1-800-465-2736 www.mifab.com CAN: 1-800-387-3880