

Location: _____

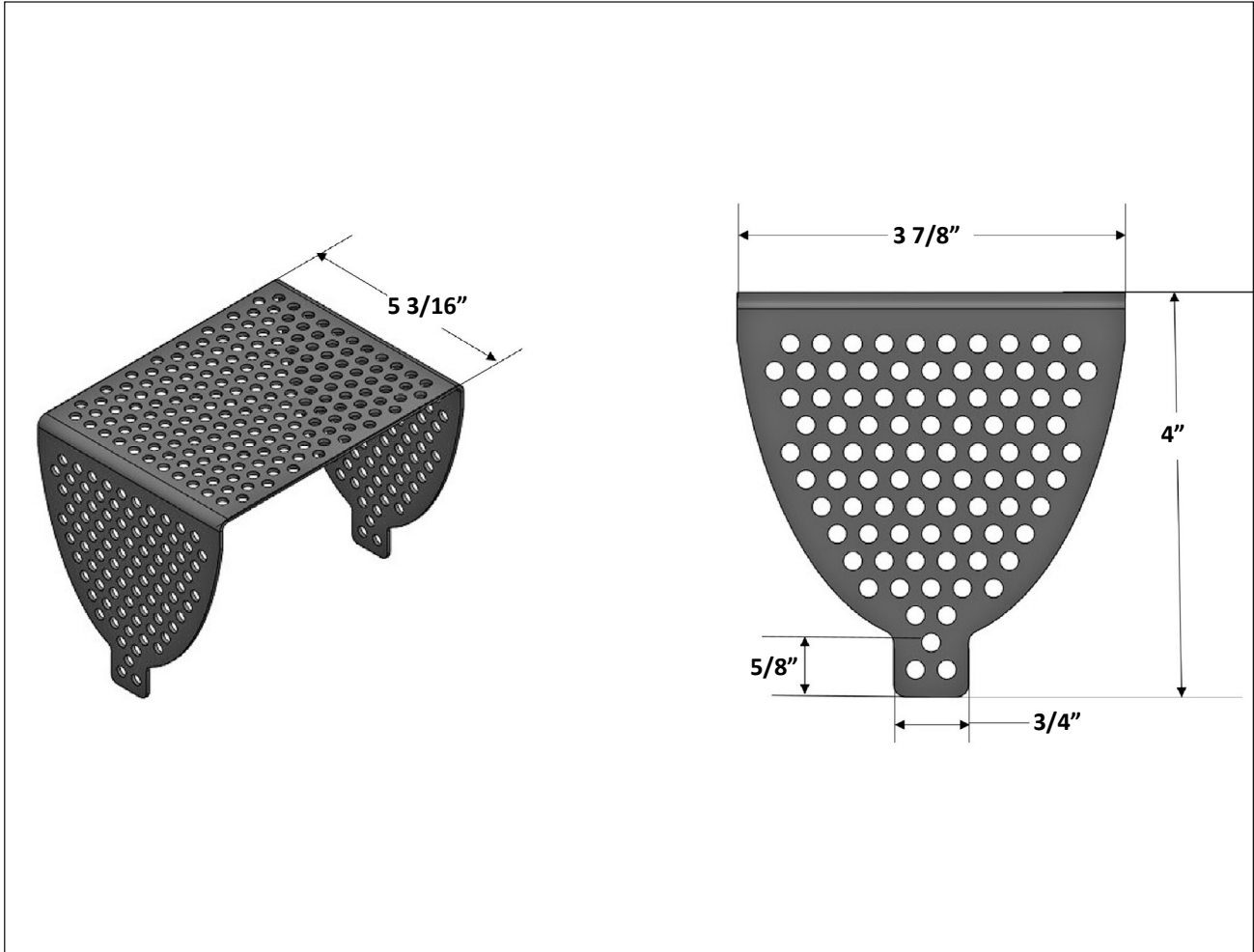


T1400-PBDS

BOTTOM OUTLET STRAINER FOR ALL T1400 GRP CHANNELS

Specification: MIFAB® T1400-PBDS bottom outlet strainer manufactured from powder coated 16 gauge galvanized steel.

Function: Used to provide a strainer above the bottom outlet for MIFAB's various T1400 GRP channels to prevent debris from entering and clogging the drain line.



Supplied By:
**TRENCHDRAIN
SUPPLY**
877-903-7246
www.trenchdrainsupply.com

CALIFORNIA PROPOSITION 65 WARNING. This product contains chemicals known to the State of California to cause cancer and birth defects or other reproductive harm.

Job Name: _____ Page No: _____
Section No: _____ Contractor: _____
Schedule No: _____ Purchase Order No: _____

MIFAB reserves the right to make changes in material and design without formal notice and obligation. USA: 1-800-465-2736 www.mifab.com CAN: 1-800-387-3880

2023-04-25