

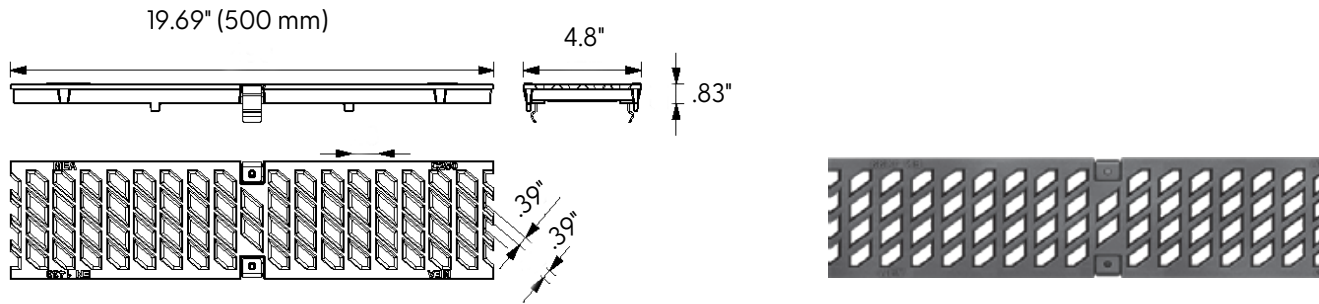
Location:



## Ductile Iron Bavaria Grate to suit 4" clear opening channels



**Specification:** T100-PGC-4-BG ductile iron bavaria grates are independently certified to meet Load Class C tested in accordance with EN 1433 56,200 lbs. 250kN. The grate length is 19.69" (.5 m). The grates utilize the patented "Clipfix" grate locking mechanism. The system (channel and grate) provides longitudinal shift protection.



LOAD CLASS C



EN 1433 - 56,200 LBS.,  
250kN, 1160 PSI

### CLIPFIX ADVANTAGE

The MEA polymer concrete and GRP channels are designed for our universal CLIPFIX grate locking mechanism. The system (channel and grate) provides longitudinal shift protection.

GRATE MODEL NUMBER	LENGTH	USED WITH
T100-PGC-4-BG	19.69" (500 mm)	T1500 Concrete Channel
TP100-PGC-4-BG	19.69" (500 mm)	T1400 Plastic Channel or T1330 Aluminum Channel

Supplied By:  
  
 877-903-7246  
 www.trenchdrainsupply.com

Job Name: _____	Page No: _____
Section No: _____	Contractor: _____
Schedule No: _____	Purchase Order No: _____

CALIFORNIA PROPOSITION 65 WARNING. This product contains chemicals known to the State of California to cause cancer and birth defects or other reproductive harm.