

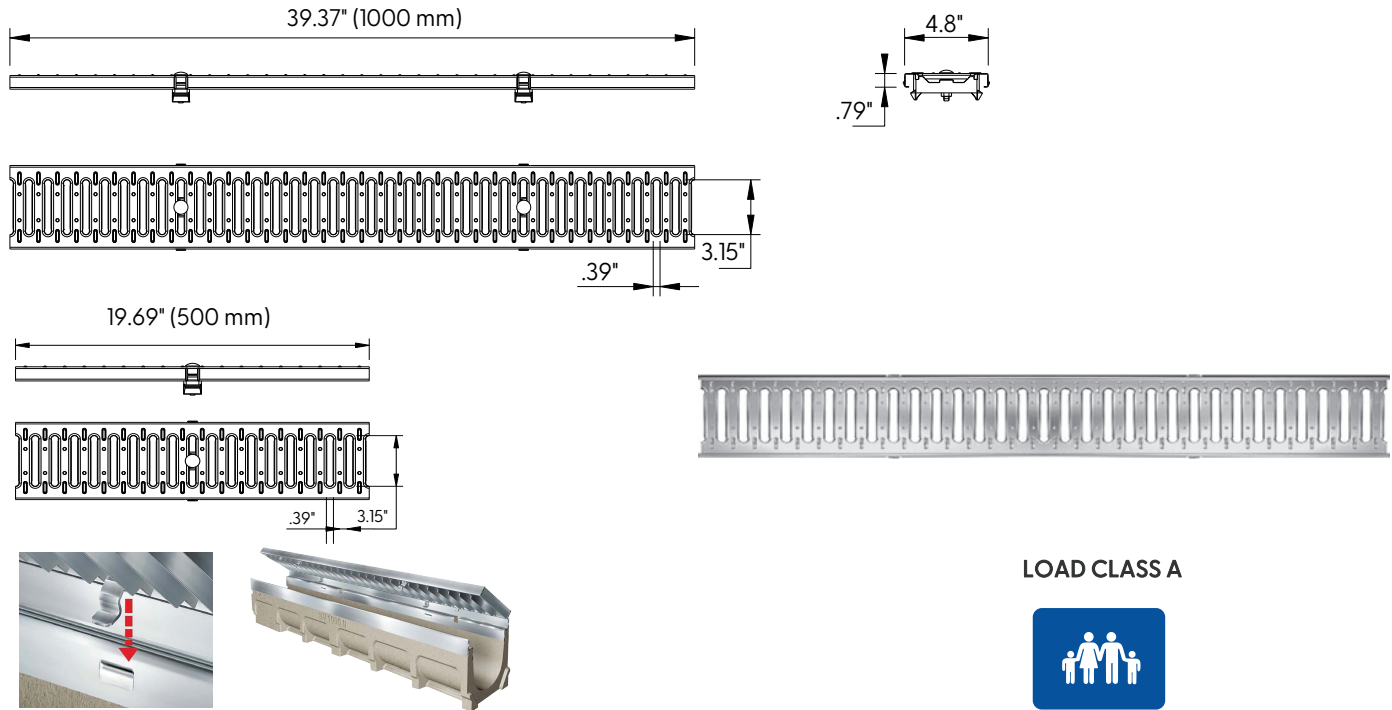
Location:



Galvanized Steel Slotted Grate to suit 4" clear opening channels



Specification: T100-PGA-13-FS galvanized slotted steel grates are independently certified to meet Load Class A tested in accordance with EEN1433 (3,372 lbs. (15kN)). The grate length is 39.37" (1 m). The grates utilize the patented "Clipfix" grate locking mechanism. The system (channel and grate) provides longitudinal shift protection. Optional (.5 m) grates are also available in Load Class A (Part # T100-PGA-13-FS-500).



LOAD CLASS A



**A: EN 1433 - 3,372 lbs.,
15kN, 70 PSI**

CLIPFIX ADVANTAGE

The MEA polymer concrete and GRP channels are designed for our universal CLIPFIX grate locking mechanism. The system (channel and grate) provides longitudinal shift protection.

GRATE MODEL NUMBER	LENGTH	USED WITH
T100-PGA-13-FS	39.37" (1000 mm)	T1500 Concrete Channel
T100-PGA-13-FS-500	19.69" (500 mm)	T1500 Concrete Channel
TP100-PGA-13-FS	39.37" (1000 mm)	T1400 Plastic Channel or T1330 Aluminum Channel
TP100-PGA-13-FS-500	19.69" (500 mm)	T1400 Plastic Channel or T1330 Aluminum Channel

Supplied By:
TRENCH DRAIN SUPPLY
 877-903-7246
 www.trenchdrainsupply.com

Job Name: _____ Page No: _____
 Section No: _____ Contractor: _____
 Schedule No: _____ Purchase Order No: _____

CALIFORNIA PROPOSITION 65 WARNING. This product contains chemicals known to the State of California to cause cancer and birth defects or other reproductive harm.