

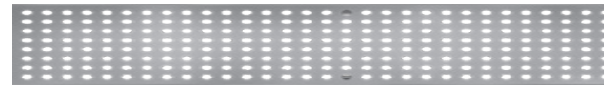
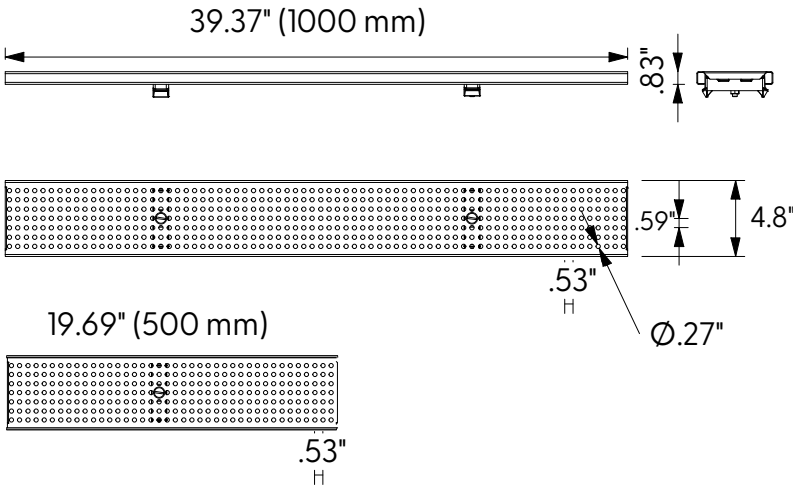
Location:



Galvanized Steel Perforated Grate to suit 4" clear opening channels



Specification: T100-PGA-13-FP galvanized steel perforated grates are independently certified to meet Load Class A tested in accordance with EN 1433 (3,372 lbs (15kN)). The grate length is 39.37" (1 m). The grates utilize the patented "Clipfix" grate locking mechanism. The system (channel and grate) provides longitudinal shift protection. Optional .5 meter grates are also available in Load Class A (Part # TP100-PGA-13-FP-500).



CLIPFIX ADVANTAGE

The MEA polymer concrete and GRP channels are designed for our universal CLIPFIX grate locking mechanism. The system (channel and grate) provides longitudinal shift protection.

LOAD CLASS A

Compliance



EN 1433 - 3,372 LBS.,
15kN, 70 PSI



ADA



HEELPROOF

GRATE MODEL NUMBER	LENGTH	USED WITH
T100-PGA-13-FP	39.37" (1000 mm)	T1500 Concrete Channel
T100-PGA-13-FP-500	19.69" (500 mm)	T1500 Concrete Channel
TP100-PGA-13-FP	39.37" (1000 mm)	T1400 Plastic Channel or T1330 Aluminum Channel
TP100-PGA-13-FP-500	19.69" (500 mm)	T1400 Plastic Channel or T1330 Aluminum Channel

Supplied By:
TRENCH DRAIN SUPPLY
 877-903-7246
 www.trenchdrainsupply.com

Job Name: _____	Page No: _____
Section No: _____	Contractor: _____
Schedule No: _____	Purchase Order No: _____

CALIFORNIA PROPOSITION 65 WARNING. This product contains chemicals known to the State of California to cause cancer and birth defects or other reproductive harm.