

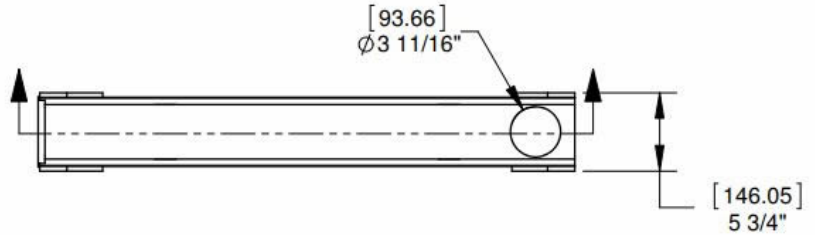
1-877-903-7246



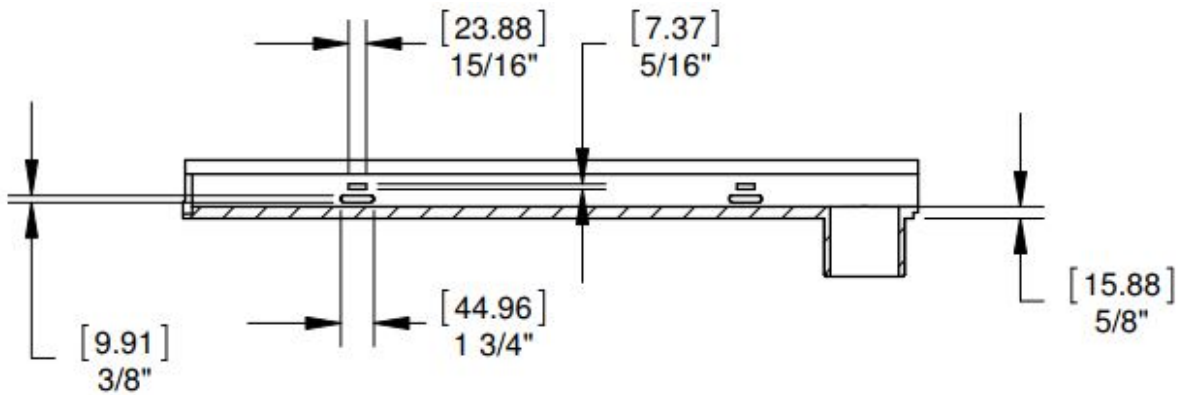
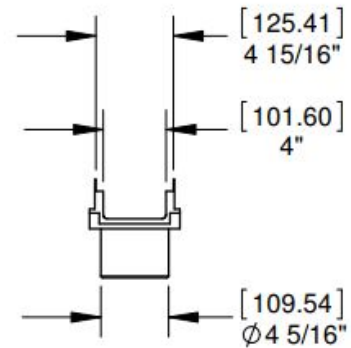
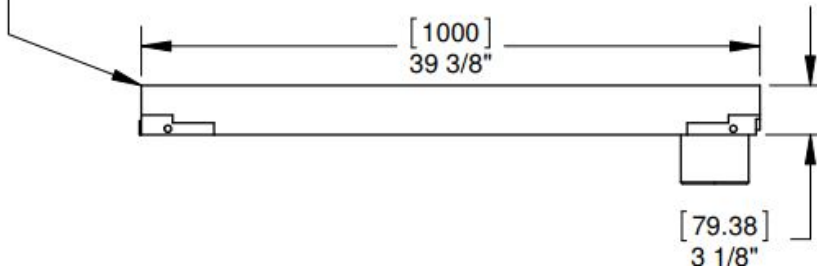
www.trenchdrainsupply.com

Number <p style="text-align: center;">155575</p>	Series <p style="text-align: center;">CPS554</p> <p style="text-align: center;">4" Wide Shallow Bottom Outlet LZ1000 Series 3.1 inch Depth</p>
---	---

80MM - 3.1 Inch Depth



GALVANIZED STEEL
PROTECTED EDGES



Manufacturer



Quality engineered trench drain system

Specification

MEA-JOSAM LZ1000 SERIES TRENCH DRAIN CONSTRUCTED OF POLYMER CONCRETE WITH GALVANIZED STEEL PROTECTED EDGES. 4" INTERIOR WIDTH, NON SLOPED, AND 4" BOTTOM OUTLET. MEETS LOAD CLASS A, B, AND C. COMPATIBLE WITH 1000 SERIES GRATES. SUPPLIED BY TRENCH DRAIN SUPPLY.

DISCLAIMER - The customer and the customer's architects, engineers, consultants, and other professionals are completely responsible for the selection installation and maintenance of any product purchased from Trench Drain Supply and/or its manufacturers. TRENCH DRAIN SUPPLY MAKES NO WARRANTY, EXPRESS OR IMPLIED, AS TO THE SUITABILITY, DESIGN, MERCHANTABILITY, OR FITNESS OF THE PRODUCT FOR CUSTOMERS APPLICATION. The drawing and information provided remain the property and copyright of the manufacturer listed. The manufacturer reserves the right to modify specification without notice.