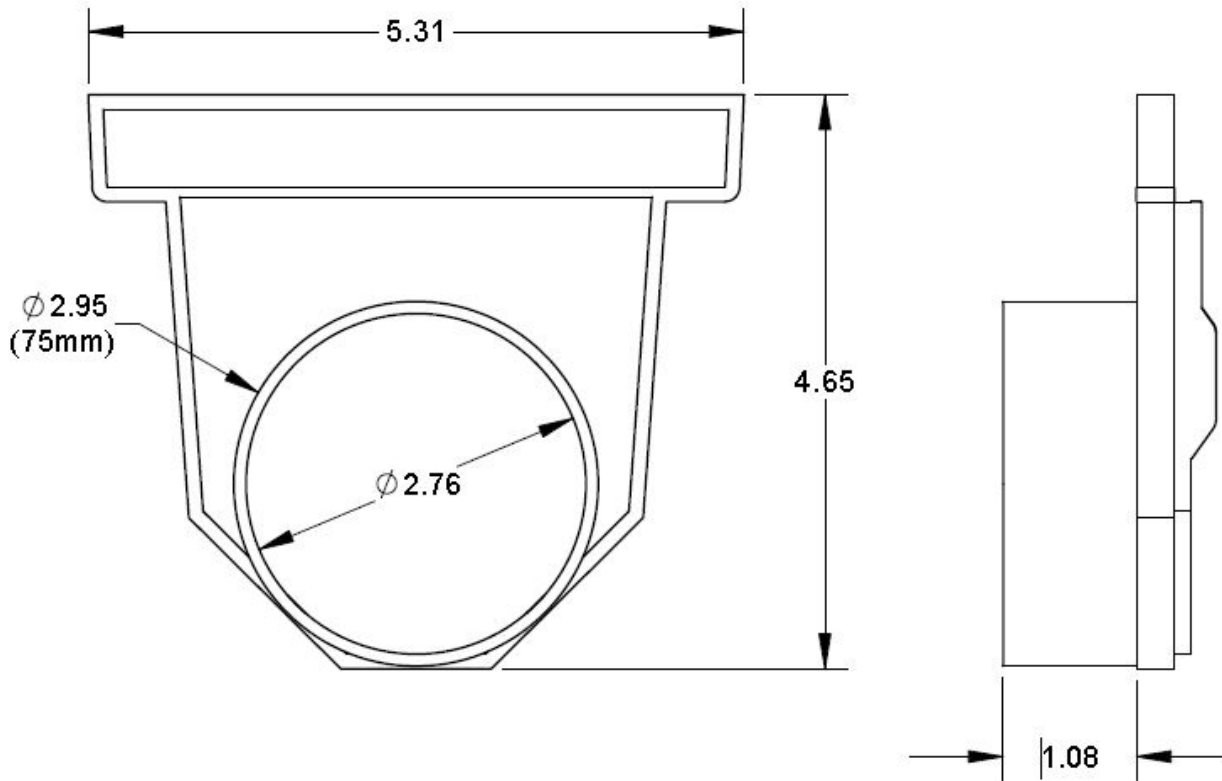
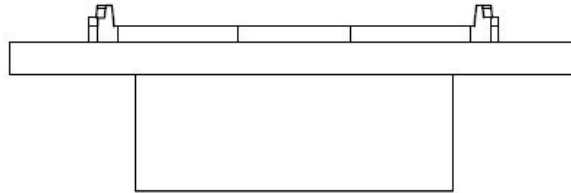
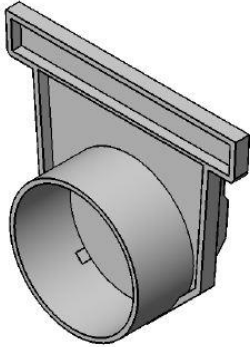


<p><b>Number</b></p> <p style="text-align: center;"><b>141350</b></p>	<p><b>Series</b></p> <p style="text-align: center;"><b>141350</b> Mearin 100 End Cap CPS303 Series</p>
-----------------------------------------------------------------------	----------------------------------------------------------------------------------------------------------------



**Manufacturer**



Quality engineered trench drain system

**Specification**

MEA 141350 END CAP/OUTLET FOR MEARIN 100 SIZE 4" INTERNAL WIDTH TRENCH CHANNELS. MADE WITH POLYPROPYLENE MATERIAL AND DESIGNED TO SECURELY FIT INTO END OF CHANNEL, SUPPLIED BY TRENCH DRAIN SUPPLY.

DISCLAIMER - The customer and the customer's architects, engineers, consultants, and other professionals are completely responsible for the selection installation and maintenance of any product purchased from Trench Drain Supply and/or its manufacturers. TRENCH DRAIN SUPPLY MAKES NO WARRANTY, EXPRESS OR IMPLIED, AS TO THE SUITABILITY, DESIGN, MERCHANTABILITY, OR FITNESS OF THE PRODUCT FOR CUSTOMERS APPLICATION. The drawing and information provided remain the property and copyright of the manufacturer listed. The manufacturer reserves the right to modify specification without notice.