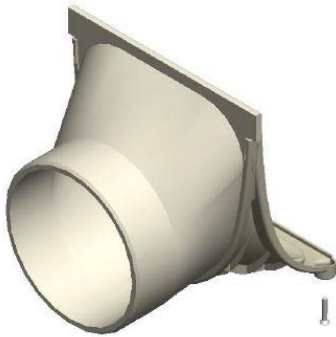
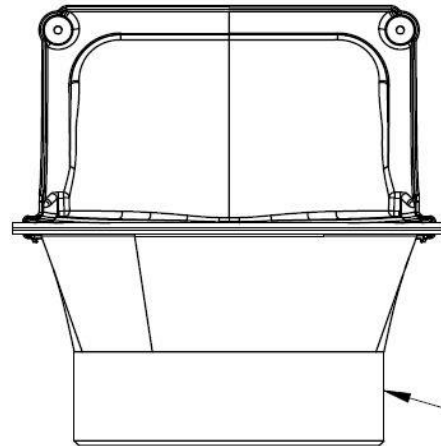


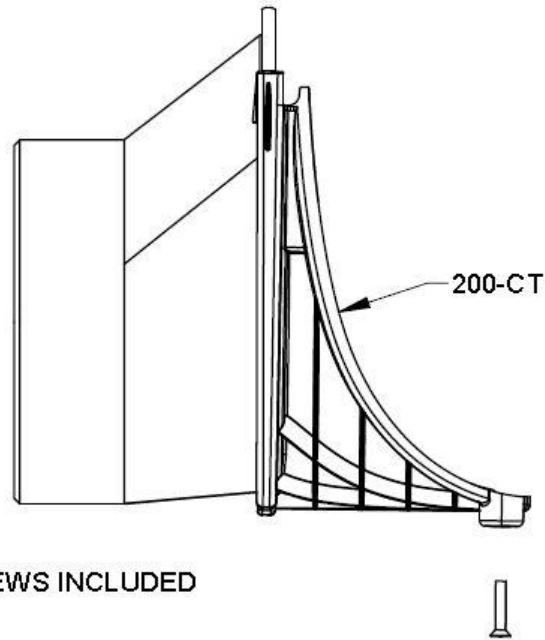
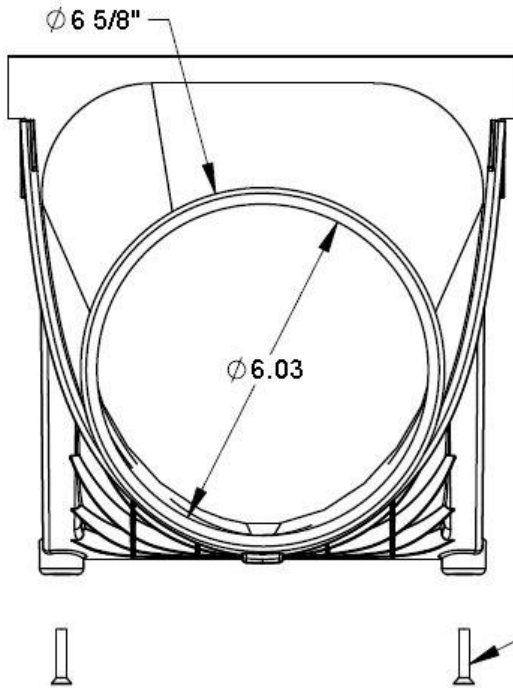
<p><b>Number</b></p> <p style="text-align: center;"><b>200-SIO6</b></p>	<p><b>Series</b></p> <p style="text-align: center;"><b>CPS200</b> Side Inlet / Outlet Strainer Pro Plus 200</p>
---	---



**200-SIO6 Side Inlet/ Outlet**



200-OE6



200-CT

SCREWS INCLUDED

**Manufacturer**



Quality engineered trench drain system

**Specification**

200-SIO6 IS AN ASSEMBLY OF A 200-CT AND A 200-OE6. PARTS ARE ASSEMBLED AND SILICONE IS APPLIED IN ALL GAPS. SECURES TO BOTTOM OF TRENCH WITH TWO SCREWS AND PROVIDES A SIDE INLET OR OUTLET FOR 8" PVC PIPE TO CONNECT TO. SUPPLIED BY TRENCH DRAIN SUPPLY.

DISCLAIMER - The customer and the customer's architects, engineers, consultants, and other professionals are completely responsible for the selection installation and maintenance of any product purchased from Trench Drain Supply and/or its manufacturers. TRENCH DRAIN SUPPLY MAKES NO WARRANTY, EXPRESS OR IMPLIED, AS TO THE SUITABILITY, DESIGN, MERCHANTABILITY, OR FITNESS OF THE PRODUCT FOR CUSTOMERS APPLICATION. The drawing and information provided remain the property and copyright of the manufacturer listed. The manufacturer reserves the right to modify specification without notice.